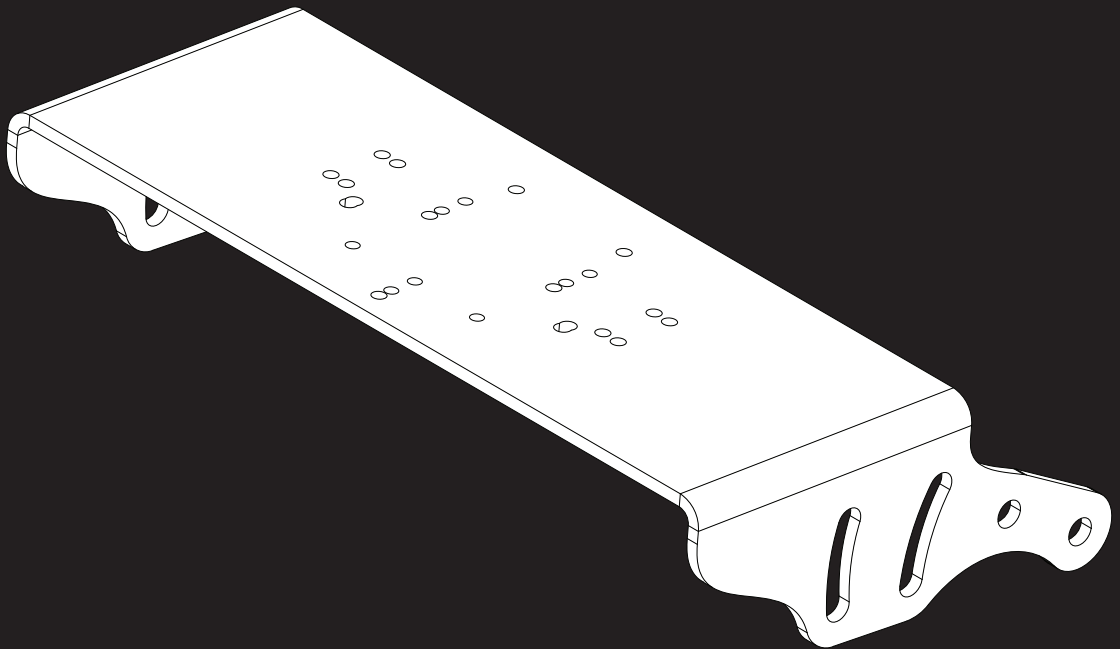


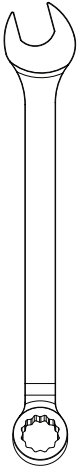
Tray Steering Mount

Accessory for Dyn X Simulator Cockpit
User Manual



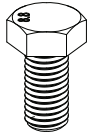
ATTACH STEERING MOUNT

TOOL

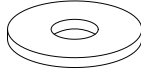


19mm

HARDWARE (INCLUDED WITH DYN X SIMULATOR COCKPIT)



4x
M12 X 25mm
HEX HEAD SCREW

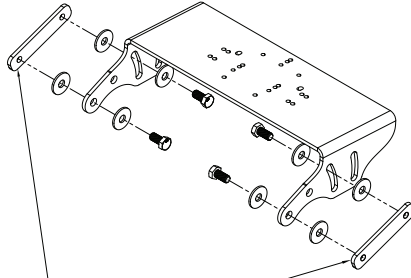


8x
M12 WASHER



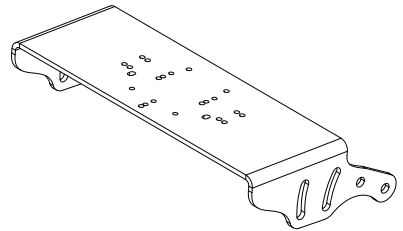
2x
M12 DOUBLE T-SLOT NUT

STEP 1: ASSEMBLE STEERING MOUNT
NOTE: LEAVE DOUBLE T-SLOT NUTS LOOSE

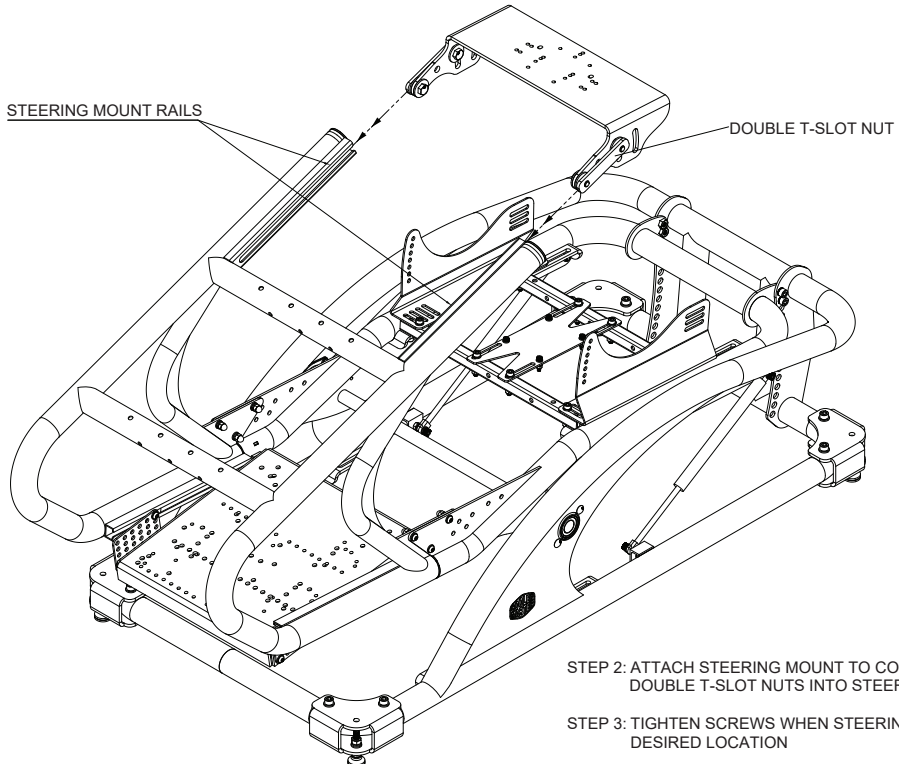


DOUBLE T-SLOT NUTS

PART



1x
STEERING WHEEL MOUNT

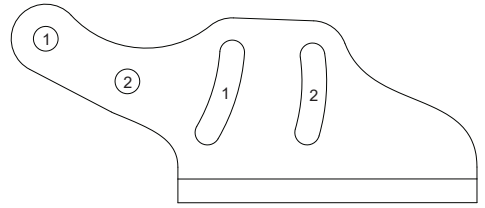
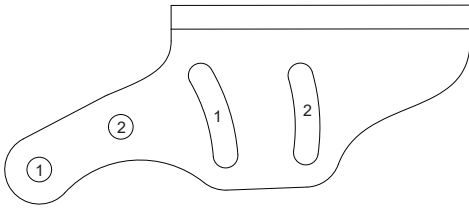


STEP 2: ATTACH STEERING MOUNT TO COCKPIT BY INSERTING
DOUBLE T-SLOT NUTS INTO STEERING MOUNT RAIL SLOTS

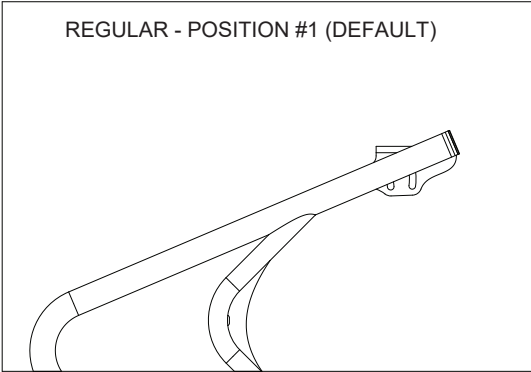
STEP 3: TIGHTEN SCREWS WHEN STEERING MOUNT IS AT THE
DESIRED LOCATION

STEERING MOUNT OPTIONS

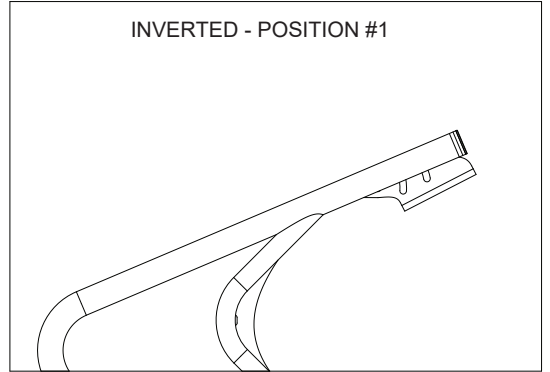
THERE ARE 2 REGULAR AND 2 INVERTED MOUNTING OPTIONS



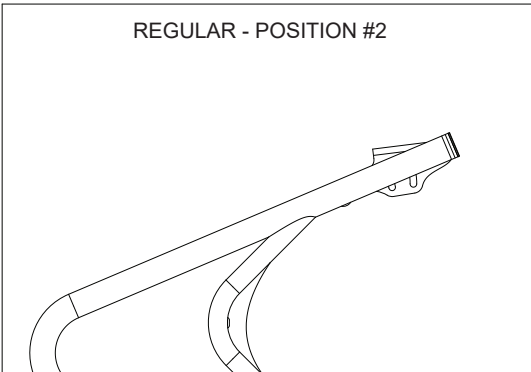
REGULAR - POSITION #1 (DEFAULT)



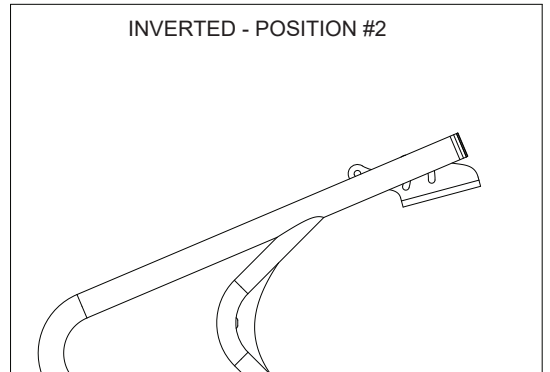
INVERTED - POSITION #1



REGULAR - POSITION #2



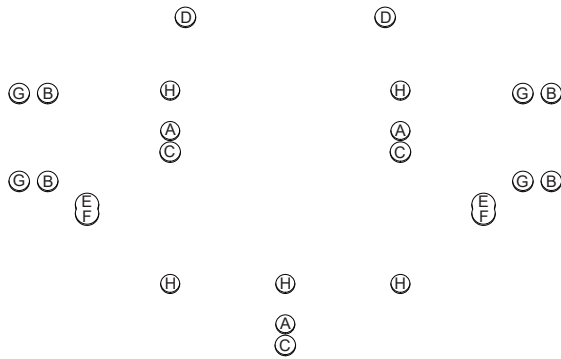
INVERTED - POSITION #2



TRAY MOUNT HOLE PATTERNS

FOR A FULL LIST OF COMPATIBLE WHEEL BASES, PLEASE VISIT: www.coolermaster.com

WHEEL BASE	LETTER
FANATEC CSL E WB	A
FANATEC CSRE/CSW WITH ADAPTER	B
FANATEC CSRE/CSW WITHOUT ADAPTER	C
LOGITECH G920/G29	D
THRUSTMASTER T300/TSPC/TSXW/TXRW	E
THRUSTMASTER T-GT	F
FANATEC CSRE/CSW WITH ADAPTER INVERTED	G
FANATEC PODIUM	H



WARRANTY

Please visit: www.coolermaster.com for the terms of the warranty.