

Dyn X

Simulator Cockpit
User Manual

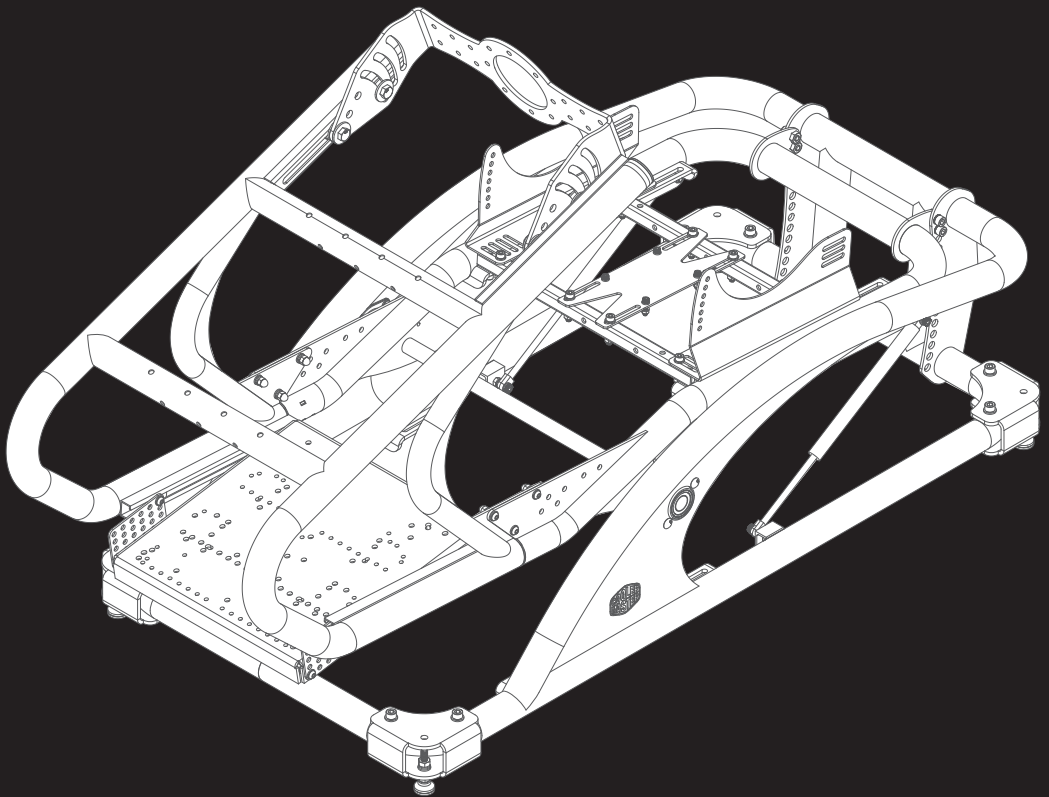


TABLE OF CONTENTS

SPECIFICATIONS

GENERAL SPECIFICATIONS	02
MATERIAL SPECIFICATIONS	02
COMPONENT ADJUSTMENT SPECIFICATIONS	03

WARNINGS

WARNINGS	04
----------	----

ASSEMBLY INSTRUCTIONS

DYN X ASSEMBLY OVERVIEW	05
1. ATTACH FLOOR LEVELERS	07
2. ATTACH FLOOR LEVELER MOUNTS	08
3. INSERT EXPANSION CLAMPS	09
4. ATTACH NOSE FRAME	10
5. ADD COCKPIT GUSSET SCREWS	11
6. TIGHTEN EXPANSION CLAMP SET SCREWS	12
7. TIGHTEN NOSE FRAME GUSSET SCREWS	13
8. ATTACH SEAT MOUNT CROSSMEMBERS	14
9. ATTACH SEAT MOUNTS	15
10. ATTACH BUTTKICKER MOUNT (OPTIONAL)	16
11. ATTACH PEDAL TRAY	17
12. ATTACH STEERING MOUNT	18
PEDAL TRAY OPTIONS	19
PEDAL TRAY HOLE PATTERNS	20
STEERING MOUNT OPTIONS	21
CHANGING DRIVING POSITION	22
DRIVING POSITIONS	23 & 24
WARRANTY	25

FOR A HIGH RESOLUTION DIGITAL COPY OF THIS MANUAL, PLEASE VISIT: www.coolermaster.com

GENERAL SPECIFICATIONS

Weight	77.1kg
Assembled Dimensions (Upmost Position)	1707mm x 756mm x 1044mm (LxWxH)
Assembled Dimensions (Downmost Position)	1591mm x 756mm x 998mm (LxWxH)
Ready for Motion Actuator System	Yes
Buttkicker Mount	Yes
Included Steering Wheel Mount	Front Mount
Number of Driving Positions	14 (From Semitruck to Formula, and everything in between)

MATERIAL SPECIFICATIONS

Frame Tubing Material	Powder Coated Steel (STKM 13A)
Frame Tubing Diameter	50.8mm
Frame Tubing Wall Thickness	2mm
Gusset Thickness	5mm
Steering Wheel Mount Material (All Mounts)	Powder Coated Steel
Steering Wheel Mount Material Thickness (All Mounts)	6mm
Pedal Tray Material	Powder Coated Aluminum (5052)
Pedal Tray Material Thickness	5mm
Seat Mount Material	Powder Coated Steel
Seat Mount Material Thickness	3mm

COMPONENT ADJUSTMENT SPECIFICATIONS

Steering Wheel Slide (Forward/Back)	300mm
Steering Wheel Mounting Positions (Front & Side Mount)	6 (3 regular + 3 with mount inverted)
Steering Wheel Mount Degrees of Adjustment (Front & Side Mount)	Position 1: 50° Position 2: 47° Position 3: 44° Total: 80° (regular + inverted)
Steering Wheel Mount Height Adjustment (Front & Side Mount)	81mm (6 positions)
Steering Wheel Mounting Positions (Tray Mount)	4 (2 regular + 2 with mount inverted)
Steering Wheel Mount Degrees of Adjustment (Tray Mount)	Position 1: 26° Position 2: 24° Total: 60° (regular + inverted)
Steering Wheel Mount Height Adjustment (Tray Mount)	140mm (4 positions)
Pedal Tray Slide (Forward/Back)	400mm
Pedal Tray Tilt (Up/Down)	± 45°
Pedal Tray Lift (Up/Down)	±100mm
Seat Slide (Forward/Backward)	150mm
Seat Tilt (Up/Down)	3 - 27°
Seat Lift (Up/Down)	30mm
Number of Frame Tilt Positions	14
Frame Tilt	3 - 22°
Combined Frame/Seat Tilt	6 - 49°

WARNINGS

Keep Out of Direct Sunlight



Two Person Assembly Required



One User Only



No One Seated While Adjusting



No Sitting On Side



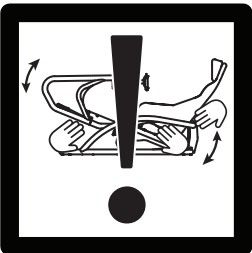
No Standing On Unit



No Sitting On Nose



Keep Hands Clear During Adjustment



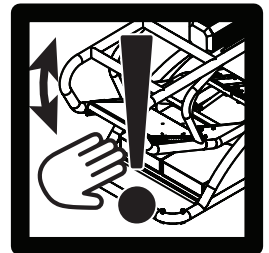
Keep Hands Clear of Base During Adjustment



Keep Hands Clear of Back During Adjustment

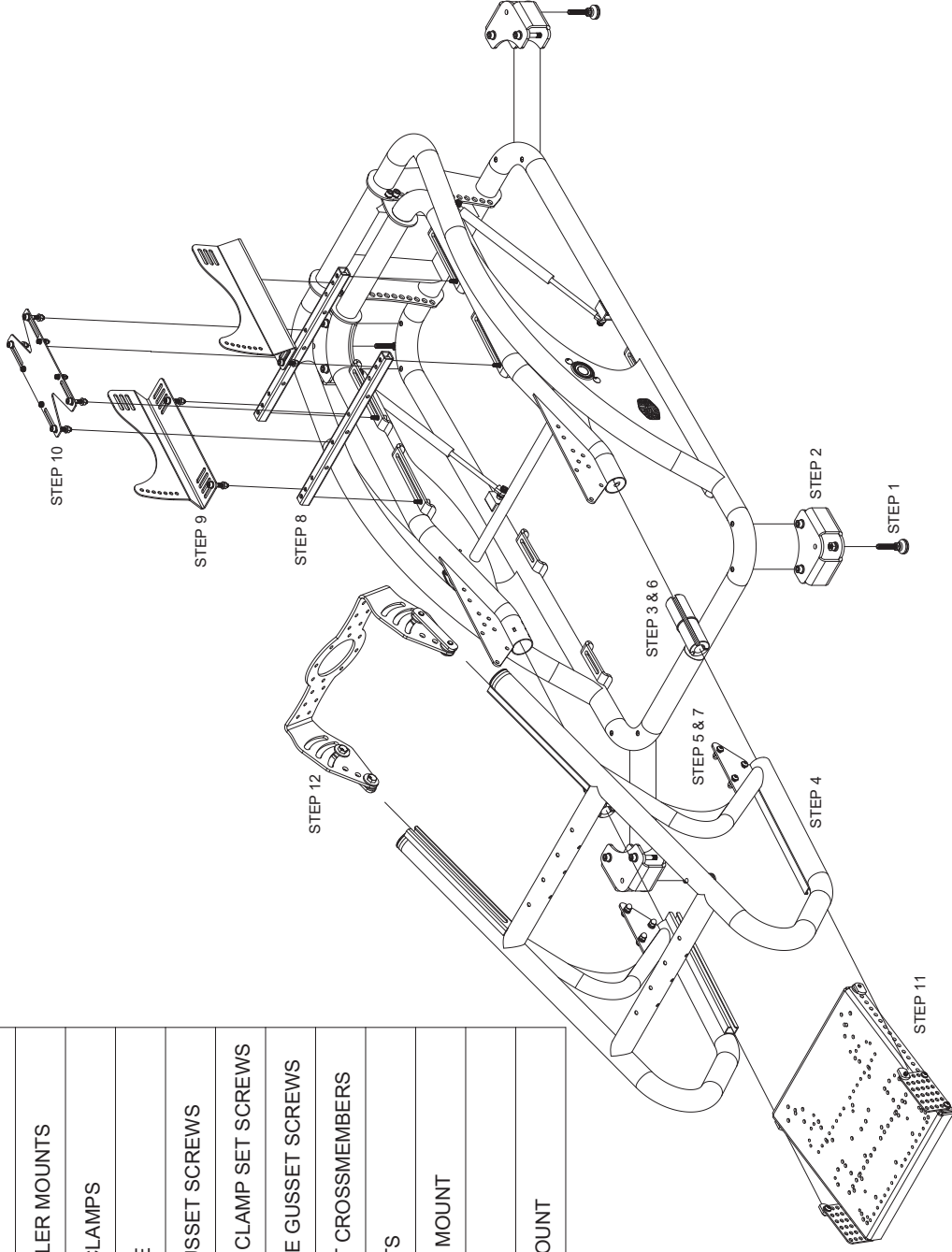


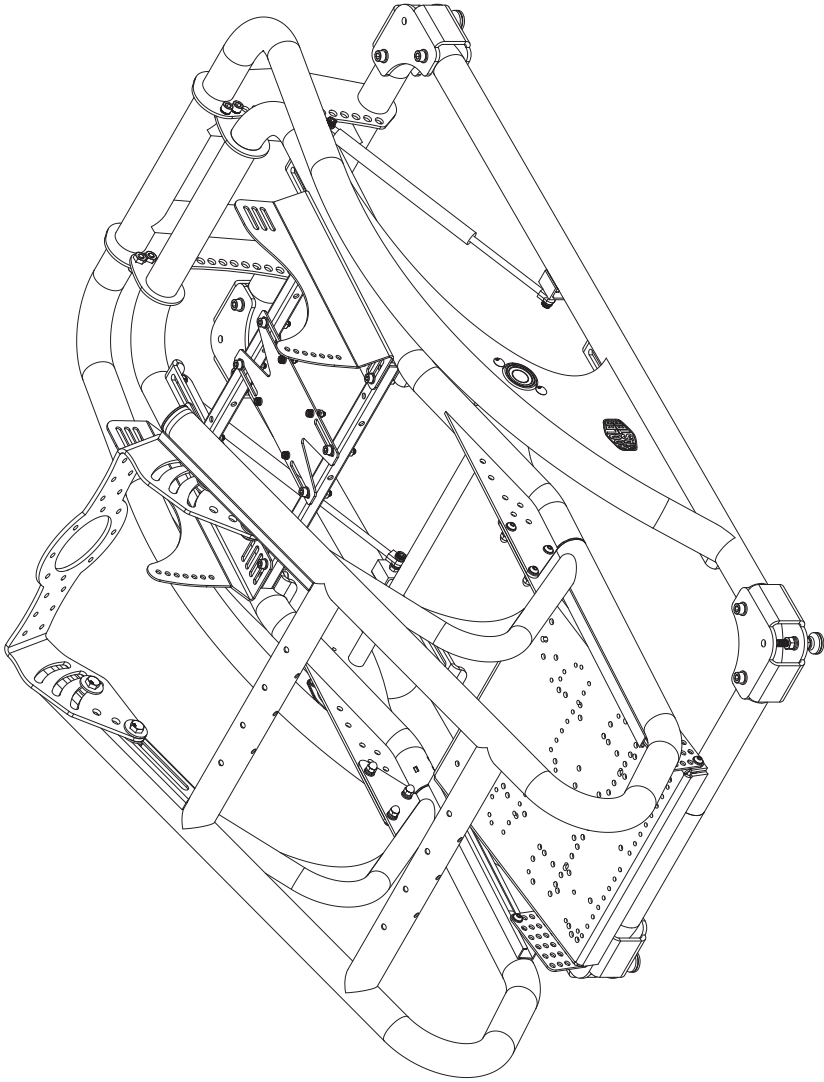
Keep Hands Clear of Nose During Adjustment



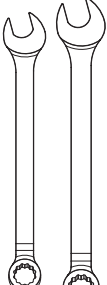
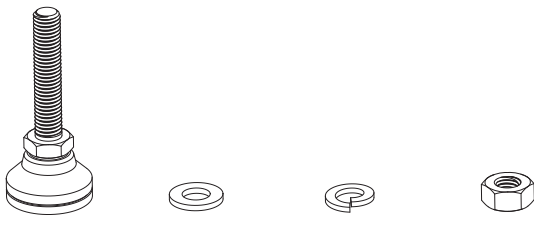
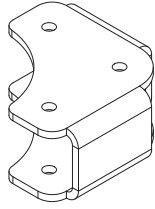
DYN X ASSEMBLY OVERVIEW

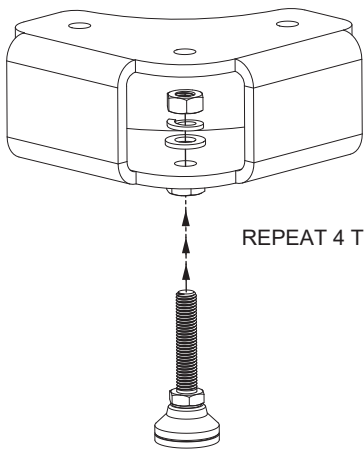
STEP 1	ATTACH FLOOR LEVELERS
STEP 2	ATTACH FLOOR LEVELER MOUNTS
STEP 3	INSERT EXPANSION CLAMPS
STEP 4	ATTACH NOSE FRAME
STEP 5	ADD NOSE FRAME GUSSET SCREWS
STEP 6	TIGHTEN EXPANSION CLAMP SET SCREWS
STEP 7	TIGHTEN NOSE FRAME GUSSET SCREWS
STEP 8	ATTACH SEAT MOUNT CROSSMEMBERS
STEP 9	ATTACH SEAT MOUNTS
STEP 10	ATTACH BUTTKICKER MOUNT
STEP 11	ATTACH PEDAL TRAY
STEP 12	ATTACH STEERING MOUNT



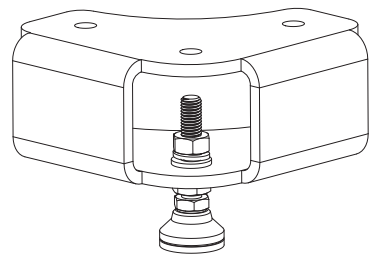


1. ATTACH FLOOR LEVELERS

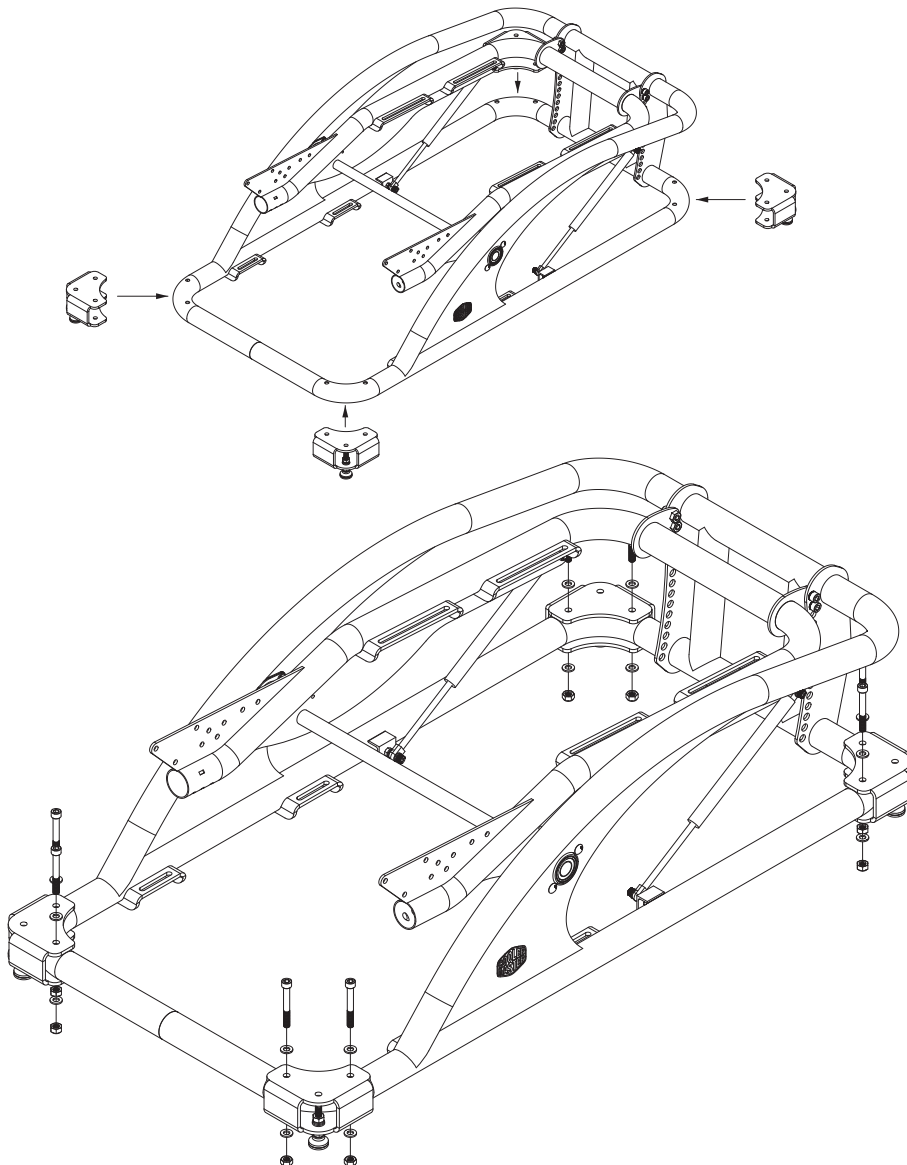
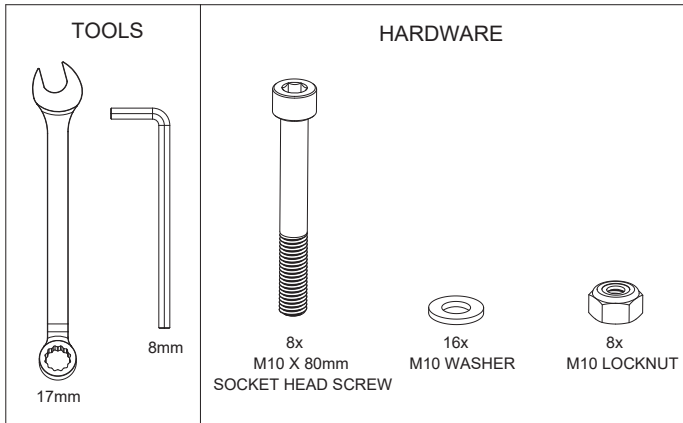
TOOLS	HARDWARE	PARTS
 <p>15mm 17mm</p>	 <p>4x FLOOR LEVELER</p> <p>4x M10 WASHER</p> <p>4x M10 LOCK WASHER</p> <p>4x M10 HEX NUT</p>	 <p>4x FLOOR LEVELER MOUNT</p>



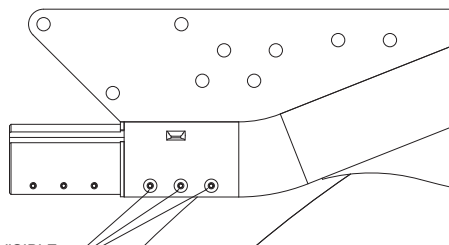
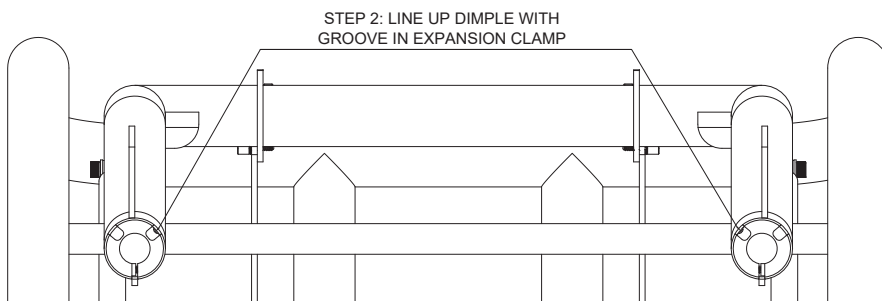
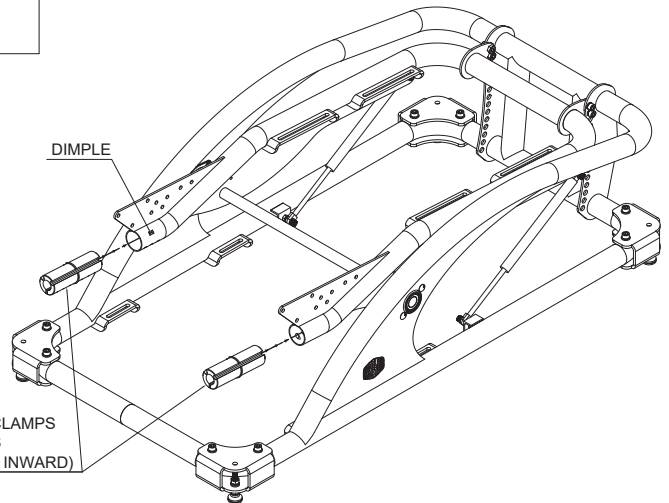
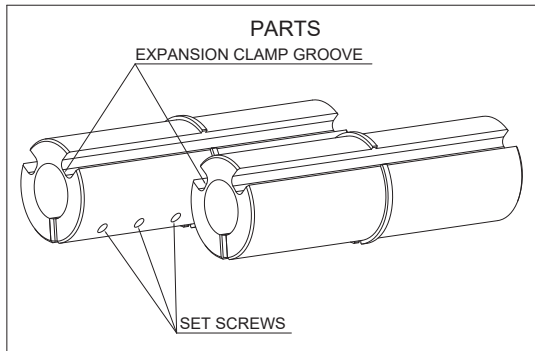
REPEAT 4 TIMES



2. ATTACH FLOOR LEVELER MOUNTS



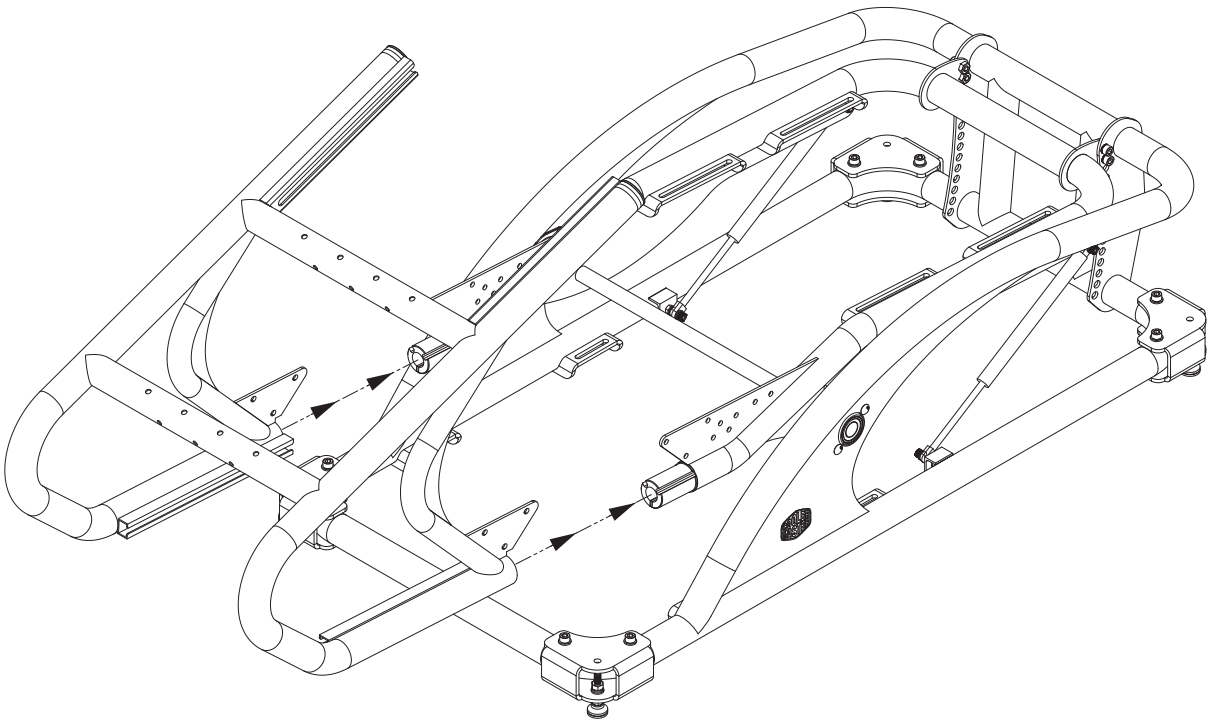
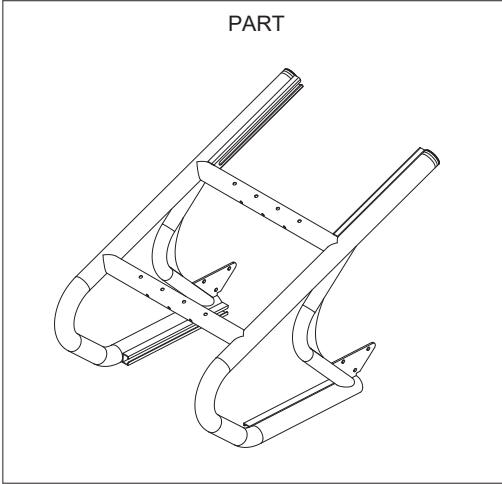
3. INSERT EXPANSION CLAMPS



9





NOTE: IF SET SCREWS ARE NOT VISIBLE, EITHER TRY THE OTHER GROOVE OF THE EXPANSION CLAMP, OR TURN THE CLAMP AROUND AND INSERT THE OTHER END

4. ATTACH NOSE FRAME

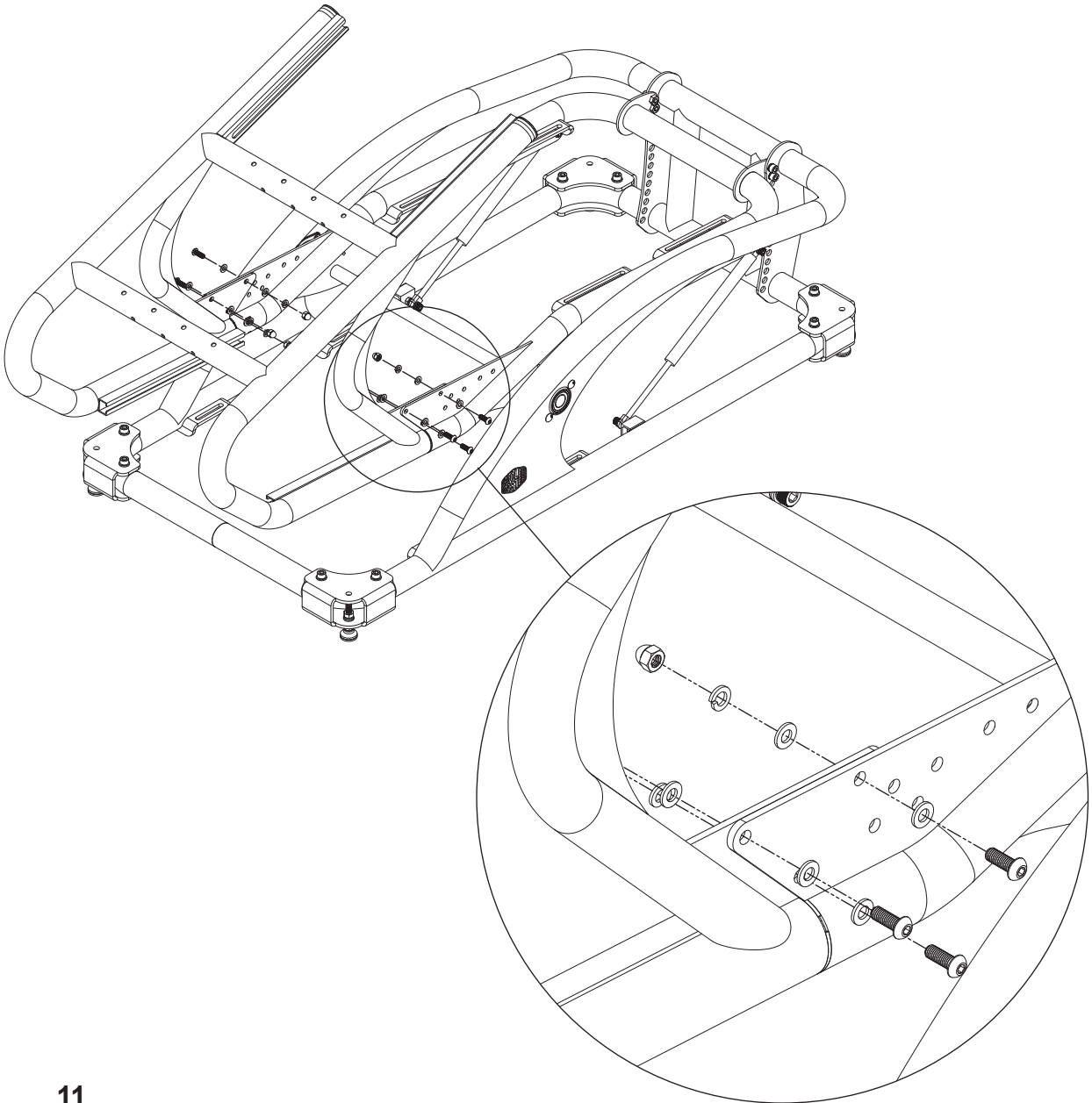


5. ADD COCKPIT GUSSET SCREWS

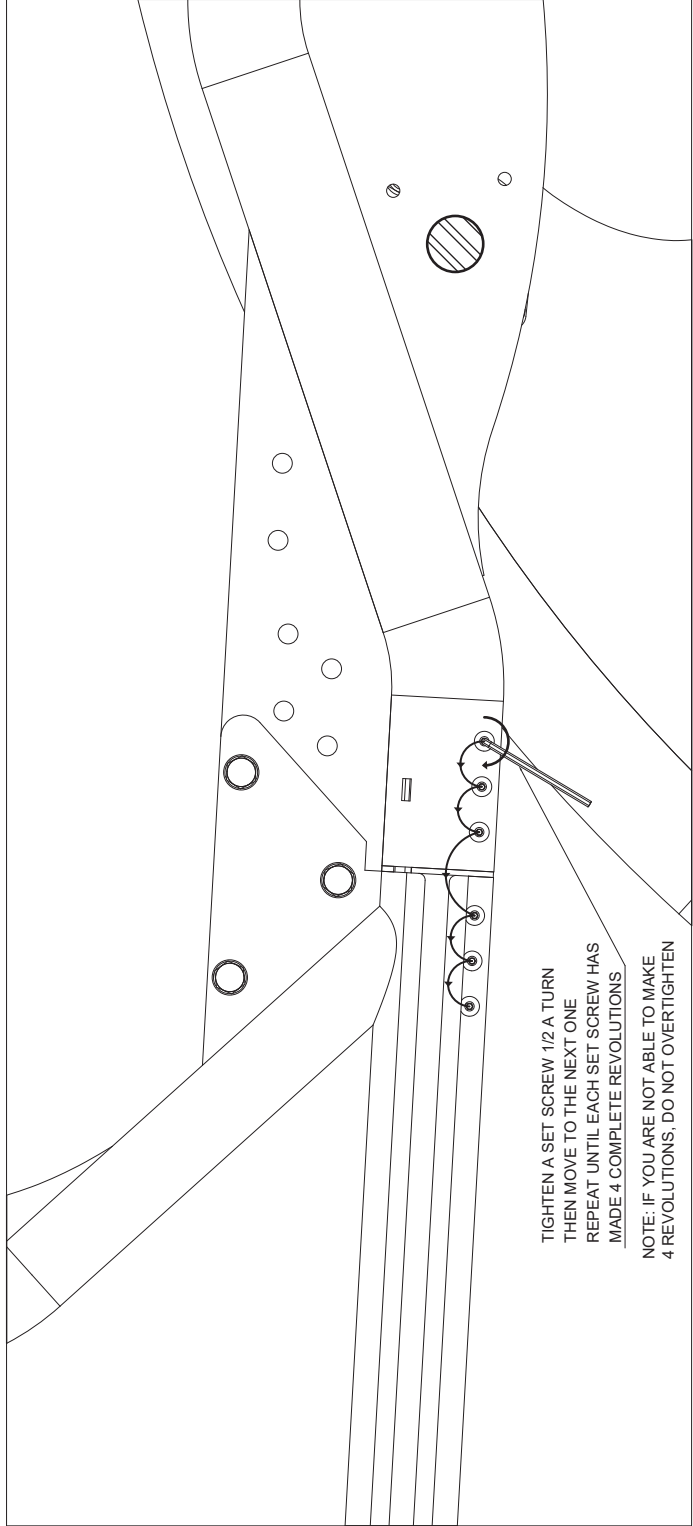
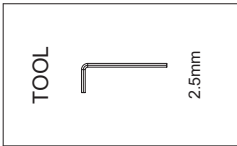
HARDWARE

			
6x M8 X 22mm BUTTON HEAD SCREW	12x M8 WASHER	6x M8 LOCK WASHER	6x M8 CAP NUT

**DO NOT TIGHTEN THESE SCREWS YET,
LEAVE THEM LOOSE.**



6. TIGHTEN EXPANSION CLAMP SET SCREWS

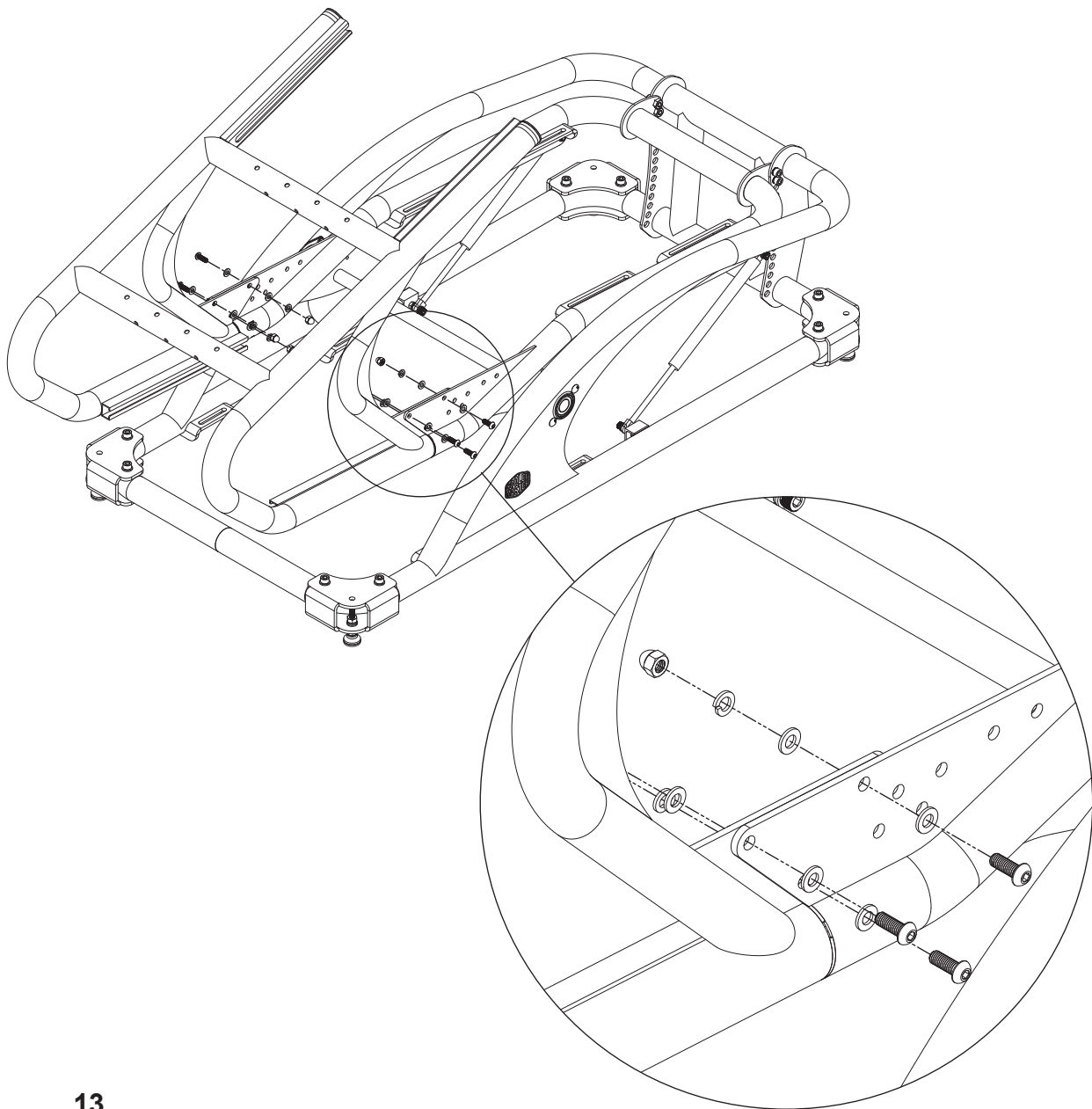
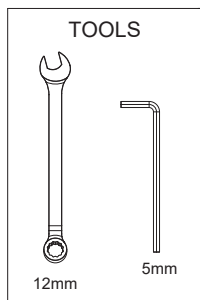


TIGHTEN A SET SCREW 1/2 A TURN
THEN MOVE TO THE NEXT ONE
REPEAT UNTIL EACH SET SCREW HAS
MADE 4 COMPLETE REVOLUTIONS

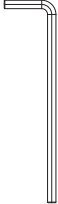



NOTE: IF YOU ARE NOT ABLE TO MAKE
4 REVOLUTIONS, DO NOT OVERTIGHTEN

NOTE: TIGHTEN SET SCREWS EVENLY

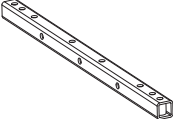
7. TIGHTEN NOSE FRAME GUSSET SCREWS



8. ATTACH SEAT MOUNT CROSSMEMBERS

TOOL	HARDWARE		
 6mm	 4x M8 X 30mm SOCKET HEAD SCREW	 4x M8 LOCK WASHER	 4x M8 WASHER

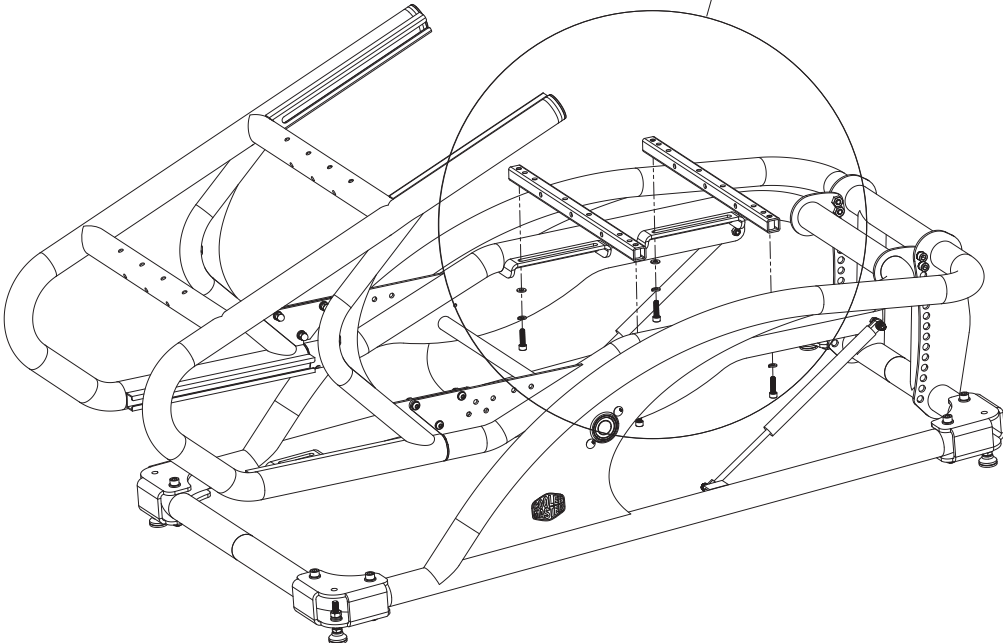
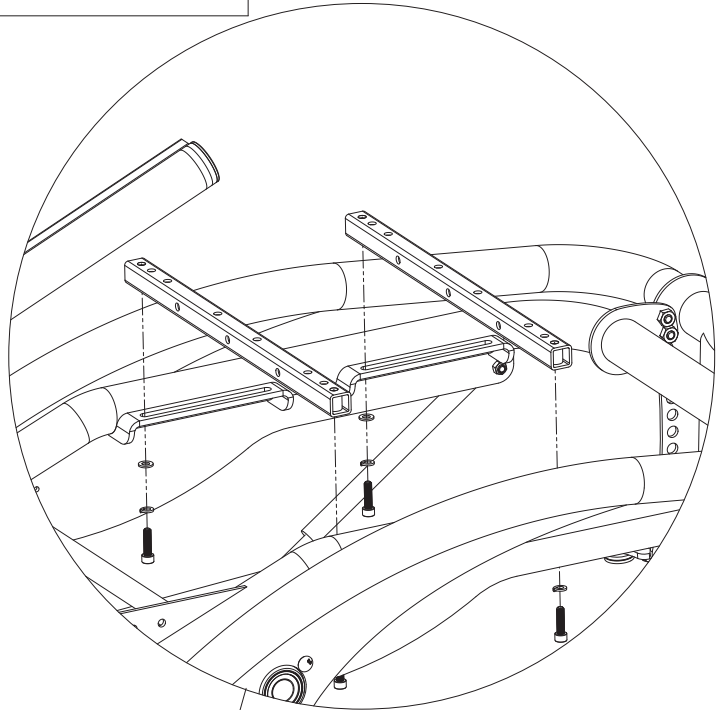
PARTS



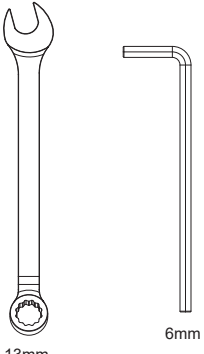
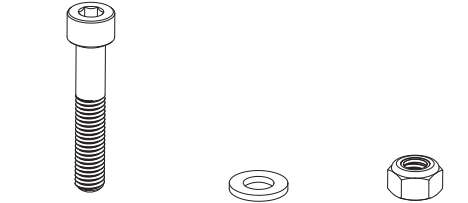
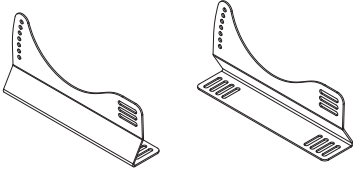
2x
SEAT MOUNT CROSSMEMBER

NOTE: WHEN THE ASSEMBLY IS COMPLETE, LOOSEN THESE SCREWS TO SLIDE THE SEAT FORWARD OR BACKWARD.

NOTE: THESE SEAT MOUNT CROSSMEMBERS WILL ACCOMODATE A STANDARD SEAT SLIDER FROM SPARCO.



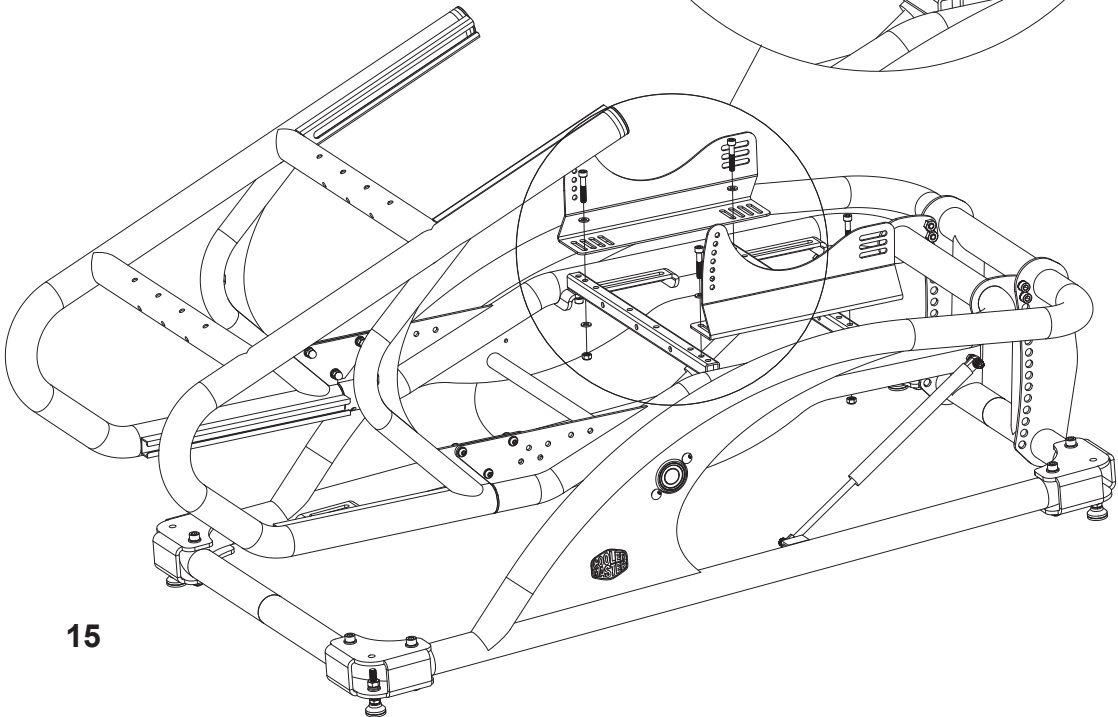
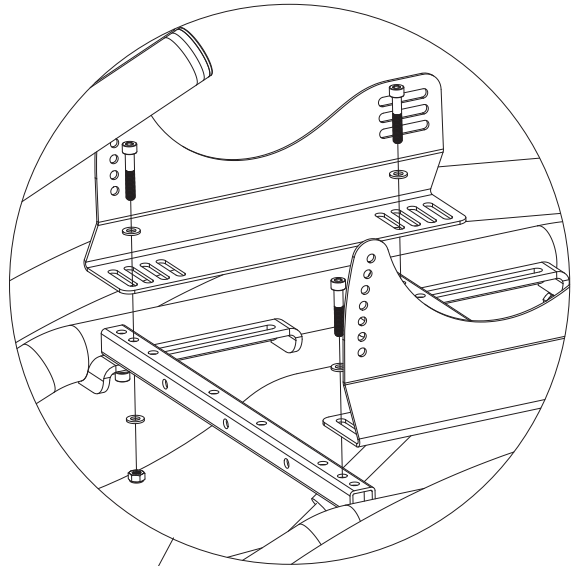
9. ATTACH SEAT MOUNTS

TOOLS	HARDWARE	PARTS
 <p>13mm</p> <p>6mm</p>	 <p>4x M8 X 45mm SOCKET HEAD SCREW</p> <p>8x M8 WASHER</p> <p>4x M8 LOCKNUT</p>	 <p>1x LEFT SEAT BRACKET</p> <p>1x RIGHT SEAT BRACKET</p>

TOP VIEW OF RIGHT SEAT BRACKET

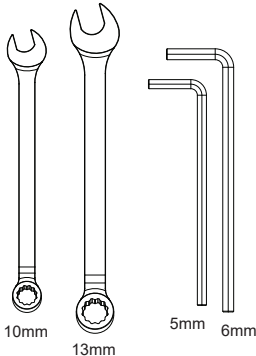


THE SEAT BRACKETS SHOULD BE ATTACHED TO THE SEAT MOUNT CROSSMEMBERS USING SLOTS WITH MATCHING LETTERS. SLOT C IS THE BEST CHOICE FOR MOST USERS.

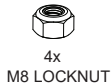
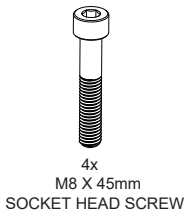


10. ATTACH BUTTKICKER MOUNT (OPTIONAL)

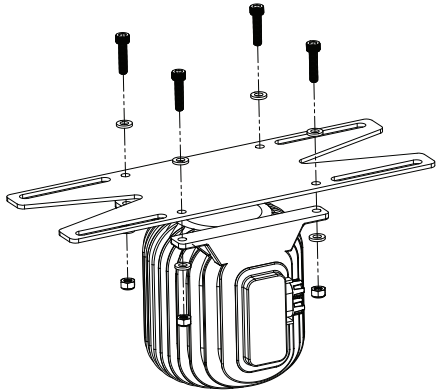
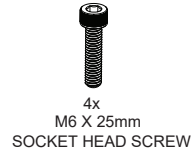
TOOLS



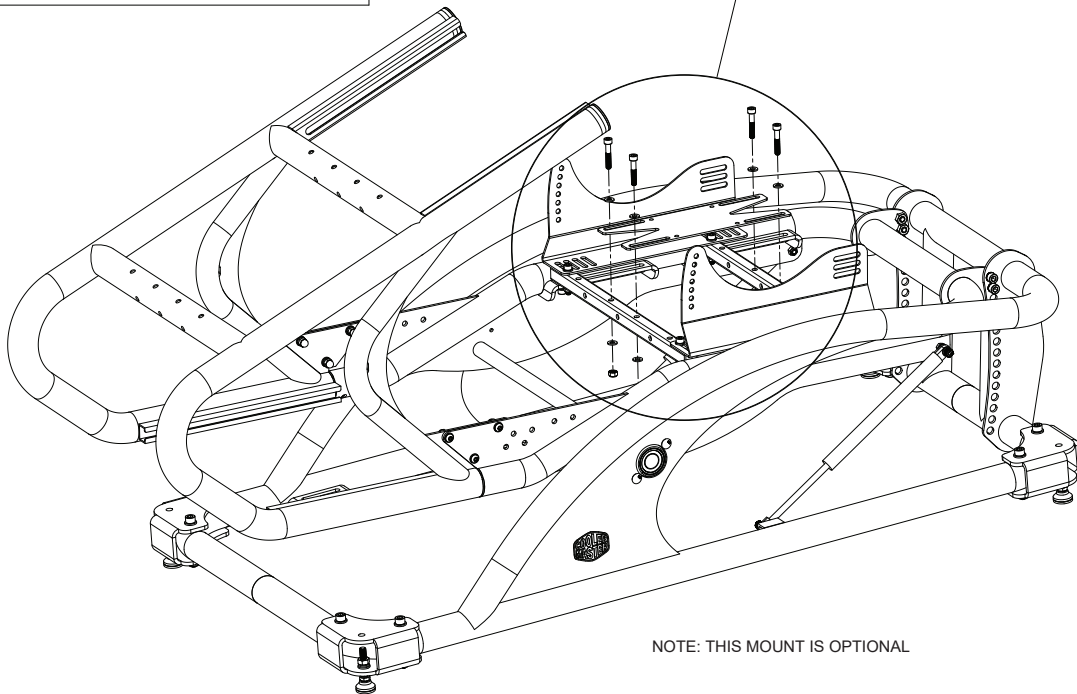
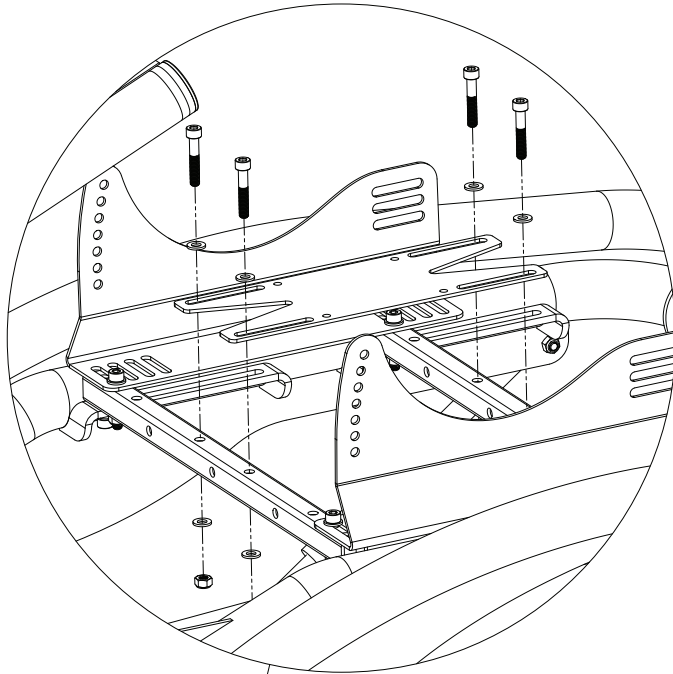
HARDWARE



OPTIONAL

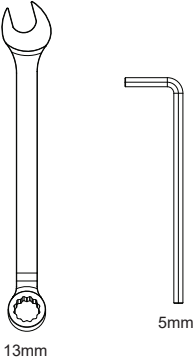





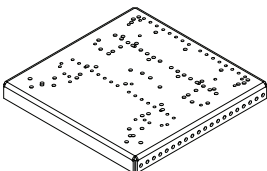
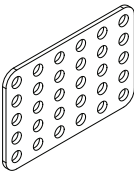


OPTIONAL: ATTACH BUTTKICKER LFE
NOTE: BUTTKICKER LFE IS NOT INCLUDED

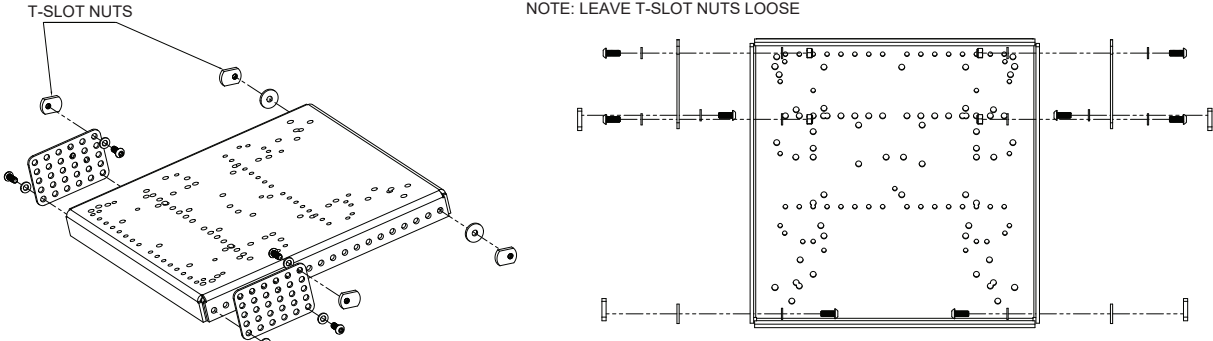


NOTE: THIS MOUNT IS OPTIONAL

11. ATTACH PEDAL TRAY

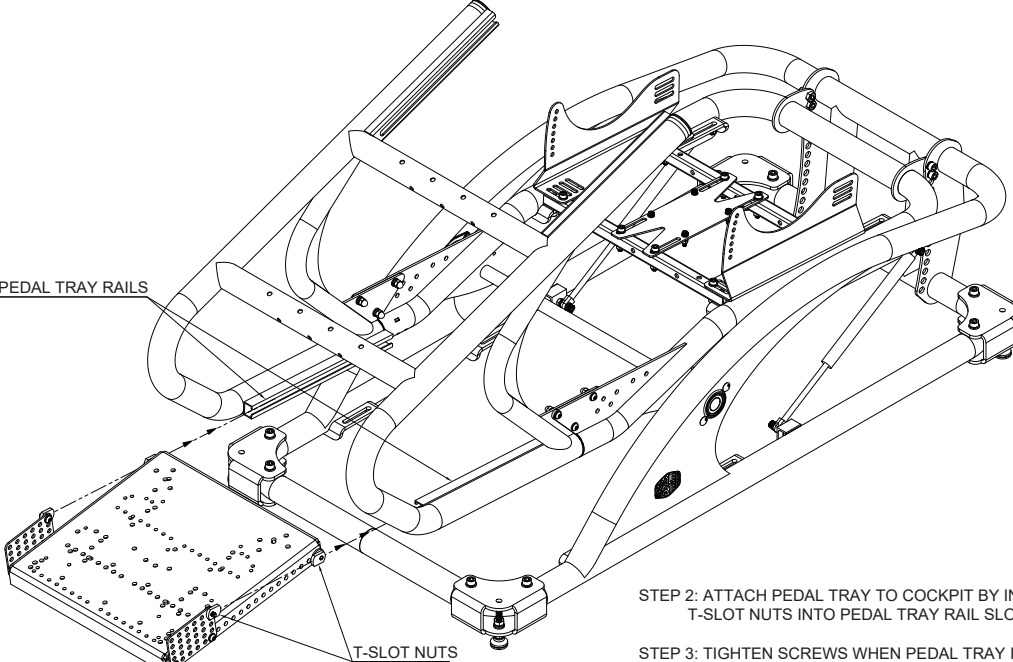
TOOLS	HARDWARE				
 <p>13mm 5mm</p>	 <p>8x M8 X 25mm BUTTON HEAD SCREW</p>	 <p>12x M8 WASHER</p>	 <p>4x M8 LOCKNUT</p>	 <p>2x SPACER</p>	 <p>4x M8 T-SLOT NUT</p>
<th data-bbox="336 434 947 485">PARTS</th> <td colspan="3" data-bbox="947 434 1296 738"></td>		PARTS			
 <p>1x PEDAL TRAY</p>		 <p>2x HEIGHT & ANGLE ADJUSTER PLATE</p>			

STEP 1: ASSEMBLE PEDAL TRAY
NOTE: LEAVE T-SLOT NUTS LOOSE



BOTTOM VIEW

PEDAL TRAY RAILS



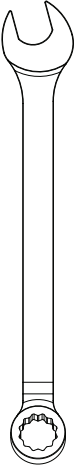
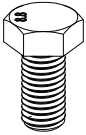
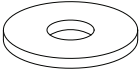
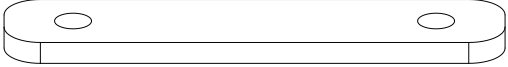
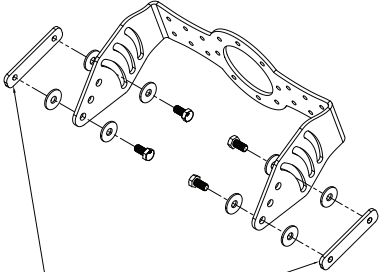
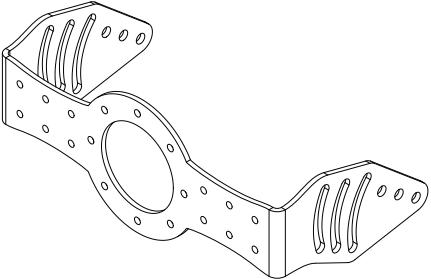
17

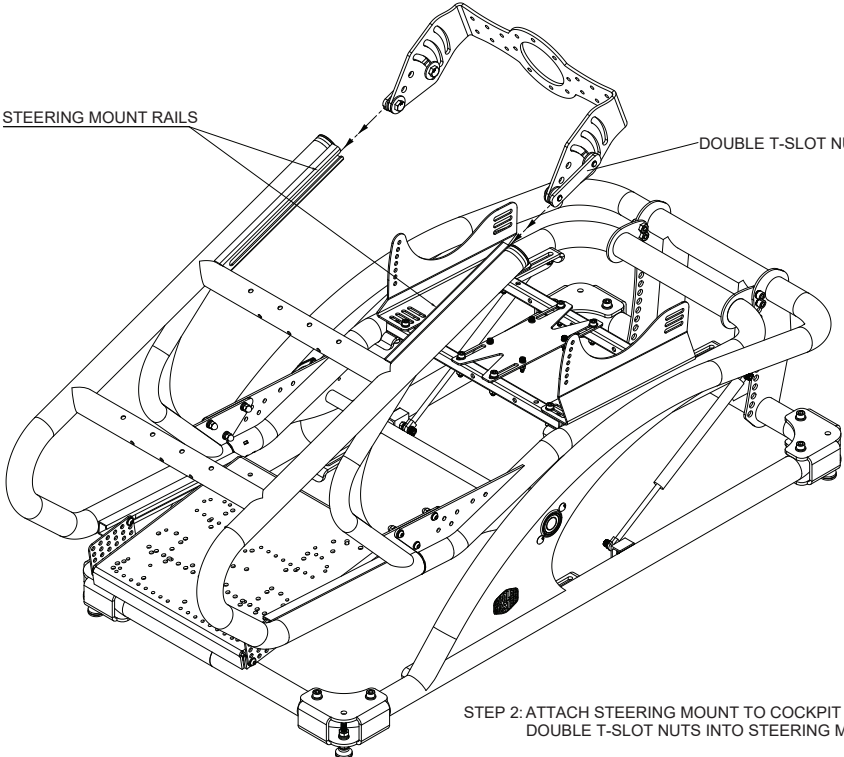
T-SLOT NUTS

STEP 2: ATTACH PEDAL TRAY TO COCKPIT BY INSERTING T-SLOT NUTS INTO PEDAL TRAY RAIL SLOTS

STEP 3: TIGHTEN SCREWS WHEN PEDAL TRAY IS AT THE DESIRED LOCATION

12. ATTACH STEERING MOUNT

TOOL	HARDWARE		
 <p>19mm</p>	 <p>4x M12 X 25mm HEX HEAD SCREW</p>	 <p>8x M12 WASHER</p>	 <p>2x M12 DOUBLE T-SLOT NUT</p>
<p>STEP 1: ASSEMBLE STEERING MOUNT NOTE: LEAVE DOUBLE T-SLOT NUTS LOOSE</p>  <p>DOUBLE T-SLOT NUTS</p>		<p>PART</p>  <p>1x STEERING WHEEL MOUNT</p>	



STEERING MOUNT RAILS

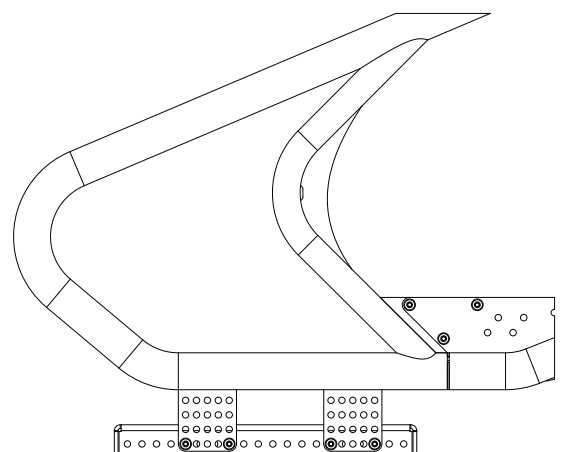
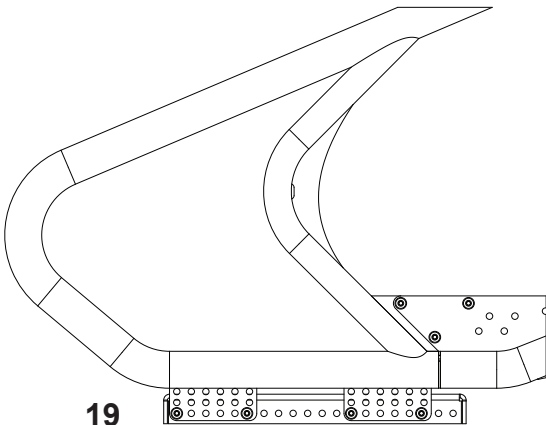
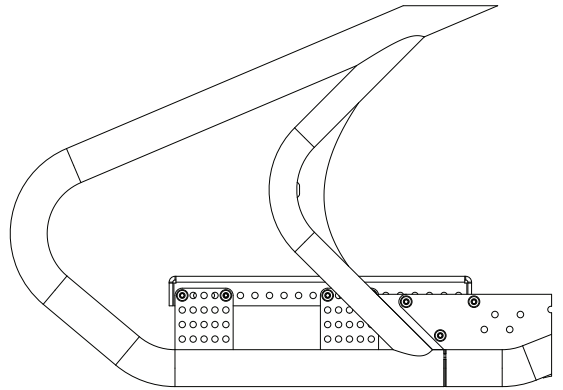
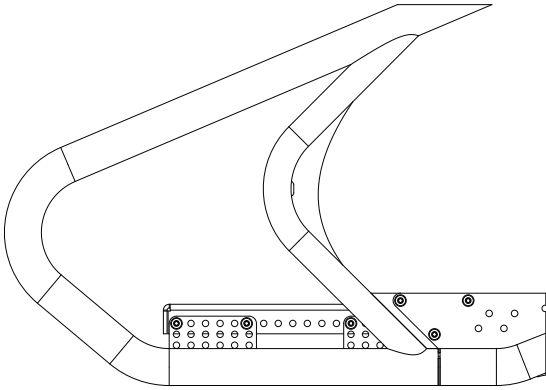
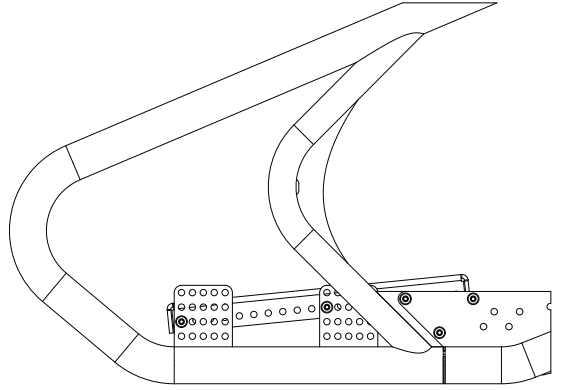
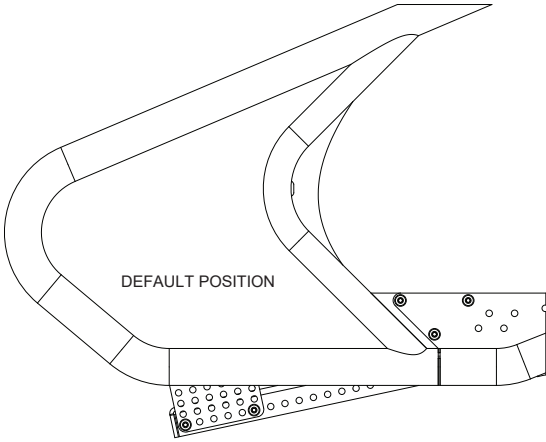
DOUBLE T-SLOT NUT

STEP 2: ATTACH STEERING MOUNT TO COCKPIT BY INSERTING DOUBLE T-SLOT NUTS INTO STEERING MOUNT RAIL SLOTS

STEP 3: TIGHTEN SCREWS WHEN STEERING MOUNT IS AT THE DESIRED LOCATION

PEDAL TRAY OPTIONS

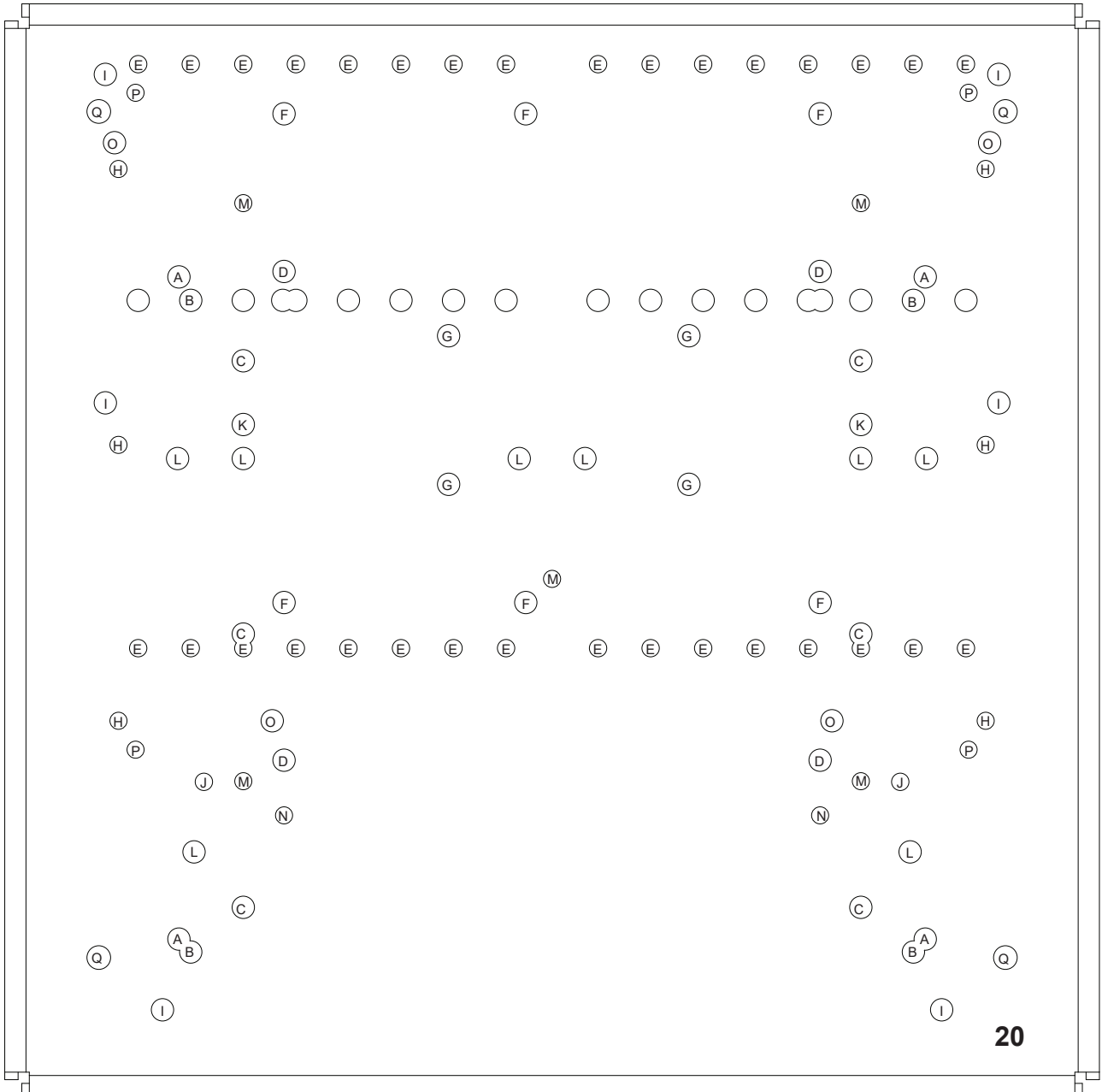
THERE ARE COUNTLESS OPTIONS OF ANGLE AND HEIGHT ADJUSTMENT
SHOWN BELOW ARE JUST A FEW EXAMPLES OF WHAT IS POSSIBLE



PEDAL	LETTER
DC SIM RACING	A
FANATEC CSP V3	B
MECA EVO1	B
HEUSINKVELD SPRINT	C
HEUSINKVELD ULTIMATE	D
HPP JBV	E
LOGITECH G29	F
RICMOTEC GTPRO3	G
SIM RACING PRO	H
SIMWORX PRO V3.1	I
THRUSTMASTER TFRP	J
THRUSTMASTER T3PA	K
THRUSTMASTER T3PA PRO	L
THRUSTMASTER T-LCM	M
THRUSTMASTER TMFFB	N
THRUSTMASTER TPR RUDDER	O
WAVE ITALY	P
SPARCO SEAT SLIDER	Q

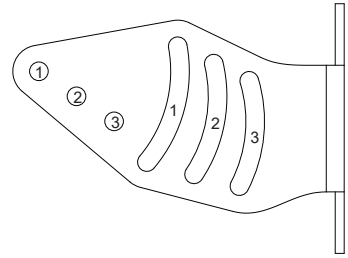
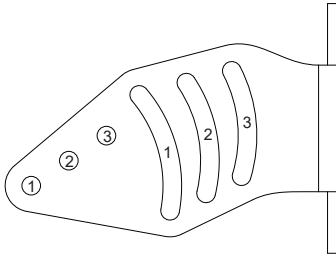
PEDAL TRAY HOLE PATTERNS

FOR A FULL LIST OF COMPATIBLE PEDAL SETS, PLEASE VISIT: www.coolermaster.com

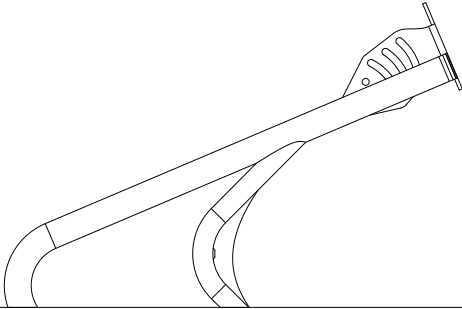


STEERING MOUNT OPTIONS

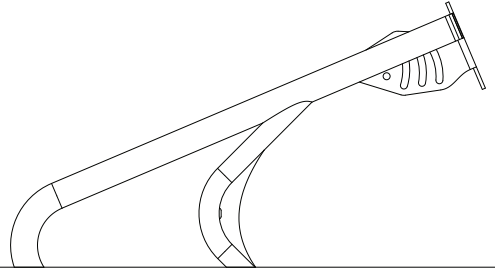
THERE ARE 3 REGULAR AND 3 INVERTED MOUNTING OPTIONS



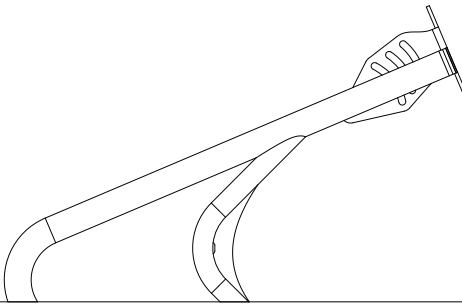
REGULAR - POSITION #1 (DEFAULT)



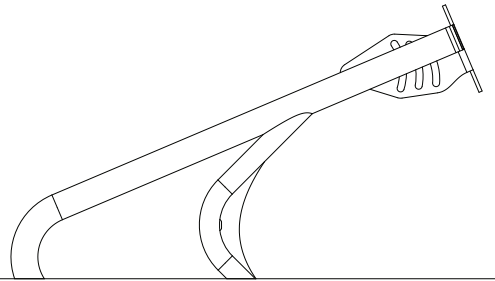
INVERTED - POSITION #1



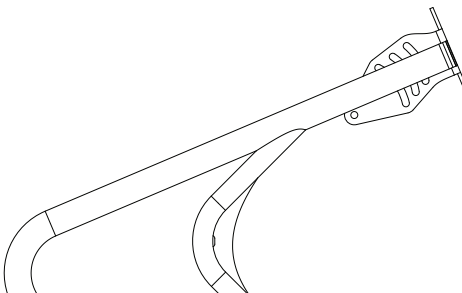
REGULAR - POSITION #2



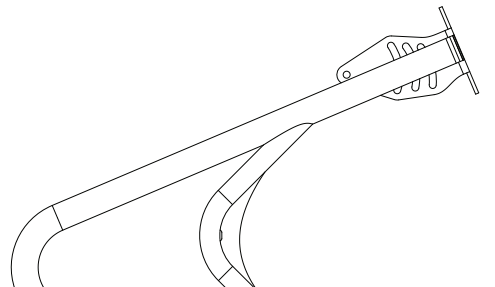
INVERTED - POSITION #2



REGULAR - POSITION #3



INVERTED - POSITION #3

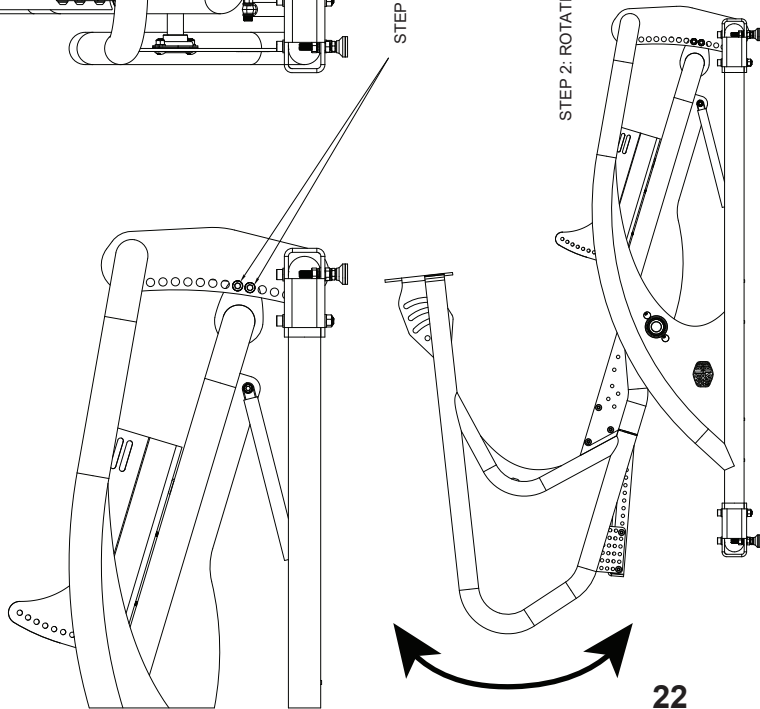
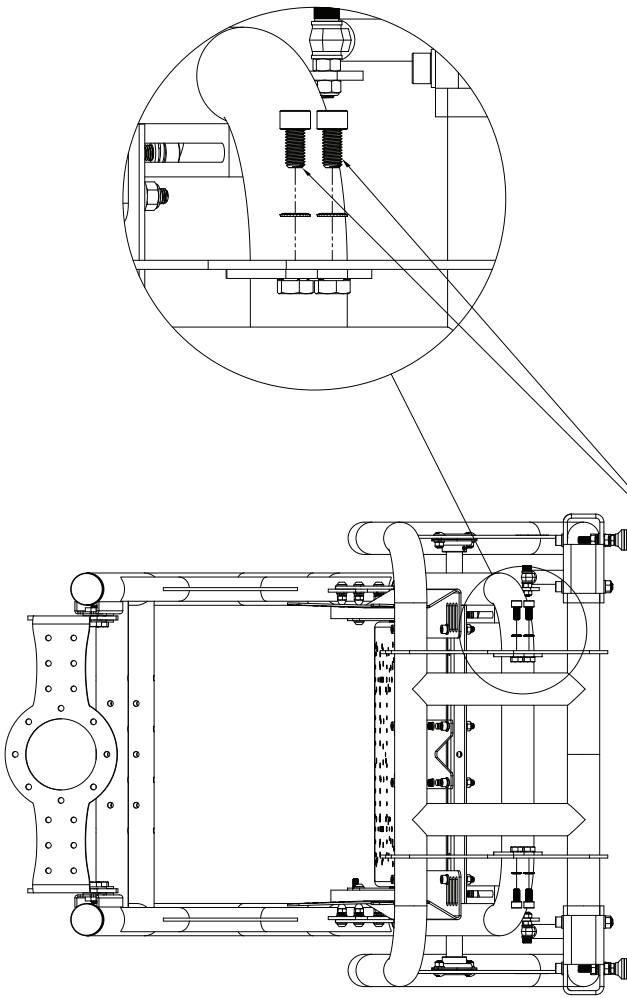
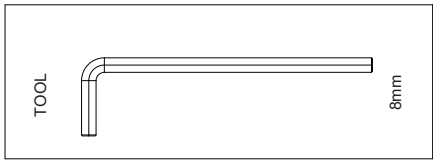


CHANGING DRIVING POSITION

WARNING: PINCHING HAZARD

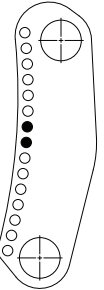
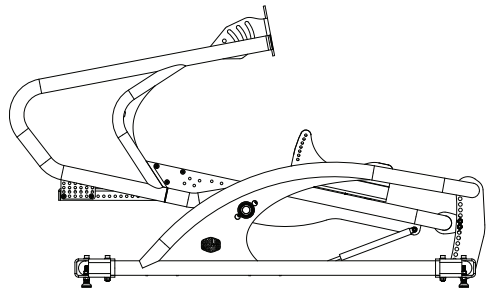
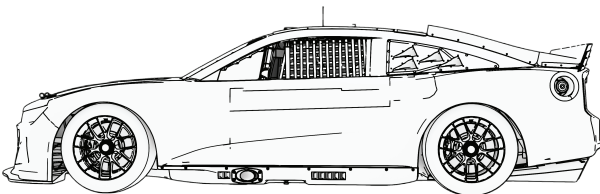
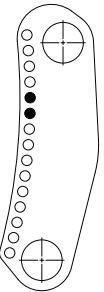
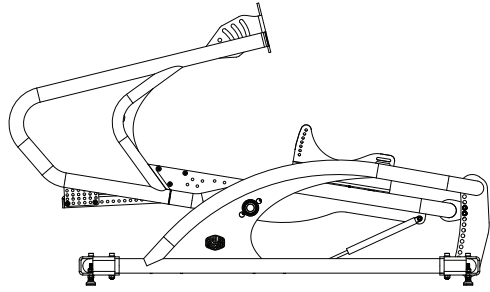
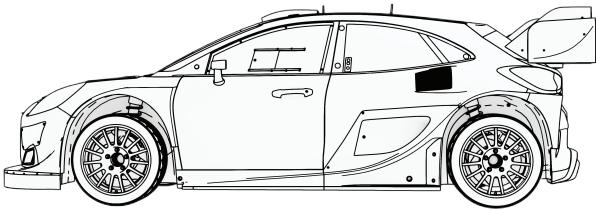
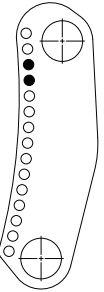
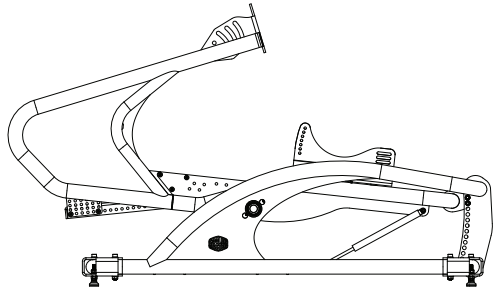
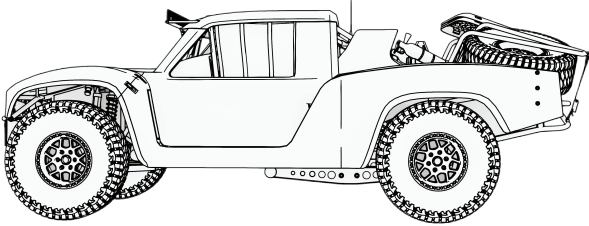
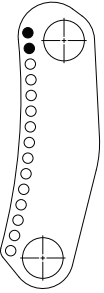
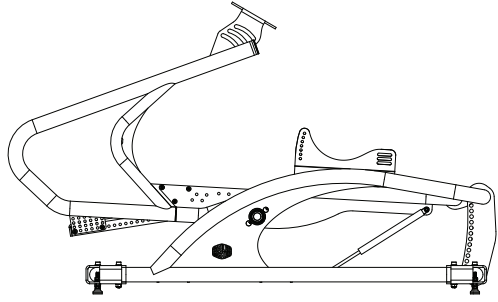
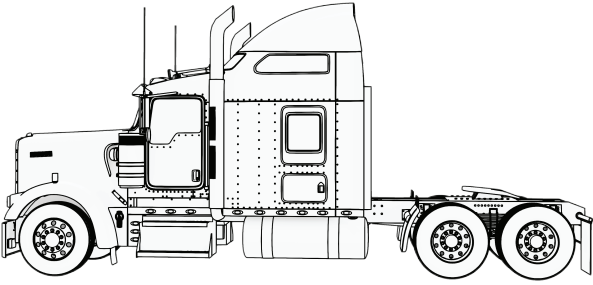
IMPORTANT: MAKE SURE A PERSON IS NOT SITTING IN THE DYN X WHILE CHANGING THE POSITION

IMPORTANT: HAVE ANOTHER PERSON HELP YOU CHANGE THE DRIVING POSITION OF THE DYN X



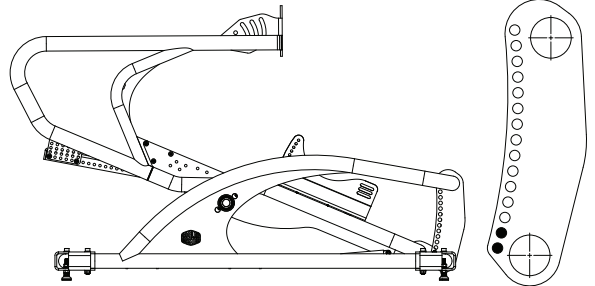
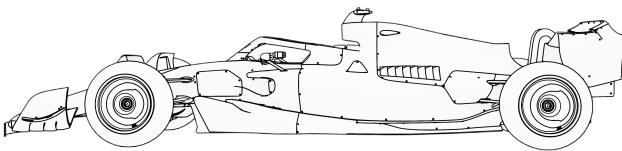
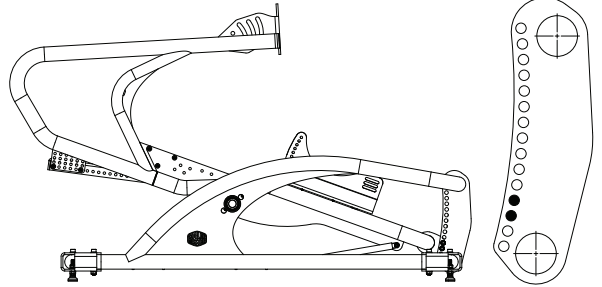
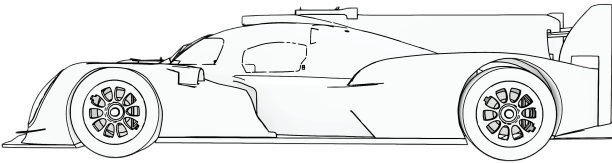
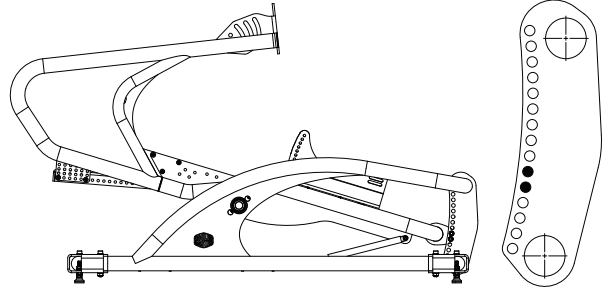
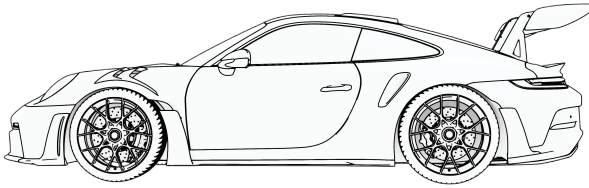
DRIVING POSITIONS

THE DYN X CAN SIMULATE MANY DIFFERENT VEHICLES AND AIRCRAFT
BELOW ARE A FEW EXAMPLES OF WHAT IS POSSIBLE



DRIVING POSITIONS

THE DYN X CAN SIMULATE MANY DIFFERENT VEHICLES AND AIRCRAFT
BELOW ARE A FEW EXAMPLES OF WHAT IS POSSIBLE



WARRANTY

Please visit: www.coolermaster.com for the terms of the warranty.

