



Make It Yours.

COSMOS INFINITY

30th ANNIVERSARY EDITION

User manual / English

Инструкция за експлоатация / Български

安装说明 / 简体中文

安裝說明 / 繁體中文

Handuch / Deutsch

Manual de Usuario / Español

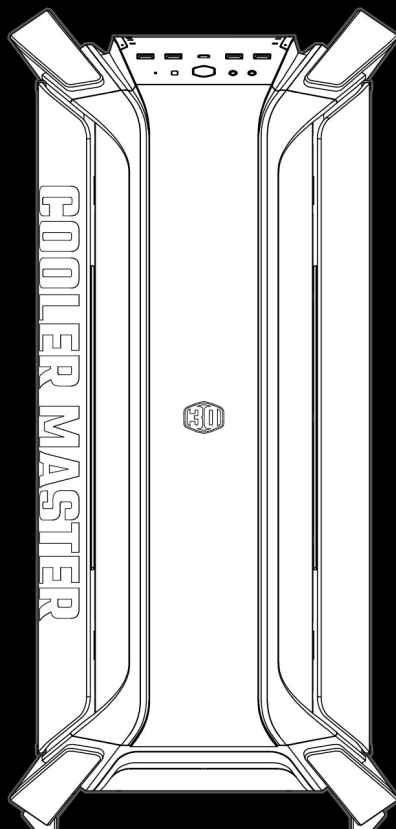
Manuel de l'utilisateur / Français

Manuale d'uso / Italiano

ユーザーズマニュアル / 日本語

Handleiding / Nederlands

Instrukcja Użytkownika / Polski







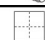







CONTENTS

| | |
|--|----|
| Package Content | 2 |
| Front I/O & Buttons | 3 |
| Compatibility..... | 3 |
| Installation Guide | |
| 1 PSU/Motherboard/GFX installation..... | 4 |
| 2 SSD/HDD installation | 6 |
| 3 How to install case fans and radiators..... | 8 |
| 4 How to install radiator in the rear | 11 |
| 5 Cable management | 11 |
| 6 Completing installation | 12 |
| Fan & A-RGB controller operation..... | 12 |
| Control Board Layout..... | 13 |
| I/O connectors..... | 13 |
| Warranty Information..... | 14 |

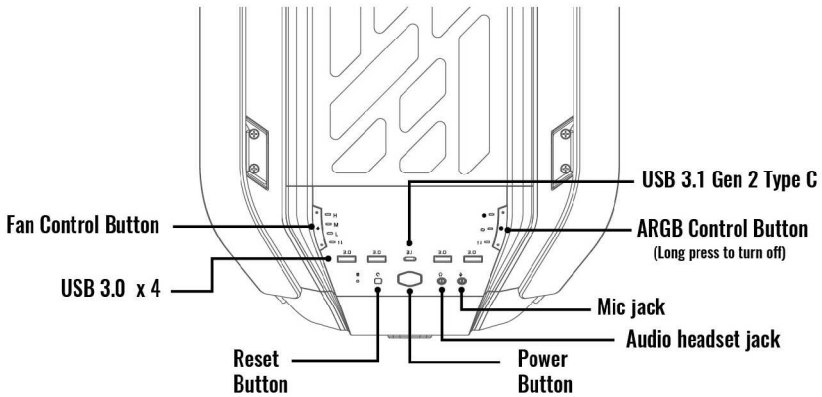
| | | |
|-------------------------------|------------|---|
| Net Weight | | 23.4kg / 51.6lb |
| Available Color | | Chameleon Paint, Black |
| Materials | | Outlook: Aluminum, Plastic, Steel Body: Steel Side panel: Tempered Glass, Steel |
| Dimensions (LxWxH) | | 650 x 306 x 651mm / 25.6 x 12.0 x 25.6inch |
| Motherboard Support | | Mini-ITX, Micro-ATX, ATX, E-ATX (support up to 12" x 10.7") |
| Expansion Slots | | 8 |
| Drive Bays | 3.5" | 2 |
| | 2.5" | 2 (Max.5) |
| I/O Port | | USB 3.1 Type-C x 1 USB 3.0 Type-A x 4 3.5mm Headset Jack (Audio+Mic) x 1 3.5mm Mic Jack x 1 Fan Speed & A-RGB Control Buttons |
| Pre-installed Fan(s) | Front | 120mm 30th anniversary ARGB fan x 3 |
| | Rear | 120mm 30th anniversary ARGB fan x 1 |
| Fan Support | Top | 120/140mm fan x 3 |
| | Front | 120/140mm fan x 3 |
| | Rear | 120mm fan x 1 |
| | Bottom | 120/140mm fan x 2 (Bracket needed) |
| | | |
| Liquid Cooling Support | Top | 120mm, 140mm, 240mm, 280mm, 360mm, 420mm (maximum thickness clearance 70mm) |
| | Front | 120mm, 140mm, 240mm, 280mm, 360mm, 420mm |
| | Rear | 120mm |
| | Bottom | 120mm, 140mm, 240mm (Bracket needed) |
| Clearances | CPU Cooler | 198mm |
| | GPU | 490mm |
| Power Supply Support | | Bottom Mount, ATX PS2 |

Package Content / 包装内含物品清单 / 包装内含物品明细 / Verpackungsinhalt / Contenido del paquete / Contenu de l'emballage / Contenuto della confezione / Szczegółowa zawartość paczki / Inbегren / Содержание упаковки / パッケージ内容

| | Figure | Name | Q'ty | Used for |
|---|---|------------------|------|---|
| ① |  | #6-32*6mm screw | 17 | PSU/Motherboard |
| ② |  | HDD screw | 8 | HDD cage |
| ③ |  | SSD screw | 4 | Mounting SSD on M.port cover |
| ④ |  | Stand-off | 3 | Motherboard tray |
| ⑤ |  | Stand-off socket | 1 | Motherboard stand-off installation |
| ⑥ |  | Cable Tie | 10 | Cable management |
| ⑦ |  | φ5*10mm screw | 8 | Installing fans |
| ⑧ |  | Cleaning Cloth | 1 | Cleaning glass |
| ⑨ |  | M3*4mm screw | 8 | SSD / mounting in SSD pockets |
| ⑩ |  | #6-32*6mm screw | 2 | Tap thread on frame holes |
| ⑪ |  | M3*6mm screw | 8 | For SSD of MB Cover plate |
| ⑫ |  | Riser Cable | 1 | Connecting graphics card when using the rotateable graphics card holder |

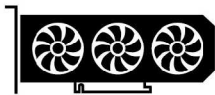
- EN Front I/O & Buttons
- CHS 前面板接口及按键说明
- CHT 前面板接口及按键说明
- DE Front I/O & Tasten
- ES Frontal I/O & Botones
- FR Boutons sur le panneau E/S de façade

- IT Pulsanti e I/O frontali
- JP フロントI/O/パネル
- NL Bedieningspaneel
- PL Przedni panel I/O & Przyciski
- RU Фронтальные кнопки и панель ввода/вывода



- EN Compatibility
- CHS 相容性
- CHT 兼容性
- DE Kompatibilität
- ES Compatibilidad
- FR Compatibilité

- IT Compatibilità
- JP パーツ互換性
- NL Compatibiliteit
- PL Zgodność
- RU Совместимость



Maximum GFX length: 490mm



Max CPU cooler height: 198mm



Max PSU length: 200+ mm

Installation Guide

組立説明 / 組裝說明 / Installationsanleitung / Guía para la instalación / Guide d'installation / Guida per l'installazione / Installatie-instructies / Instrukcja instalacji / Руководство пользователя / 製品の使い方

1 PSU/Motherboard/GFX installation

CHS PSU/Motherboard/GFX 安裝指南

CHT PSU/Motherboard/GFX 安裝指南

DE PSU/Motherboard/GFX Montage

ES Instalación de PSU/Motherboard/GFX

FR Installation d'un PSU/Motherboard/GFX

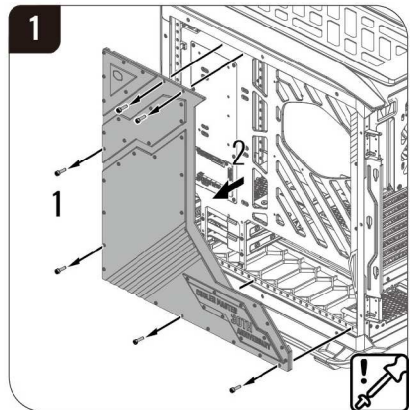
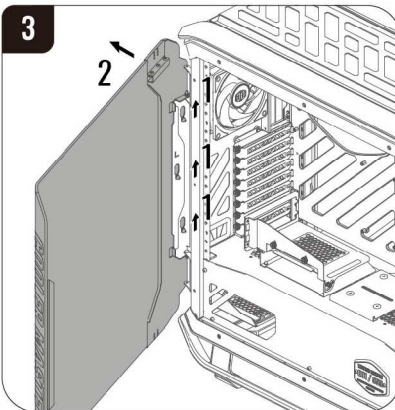
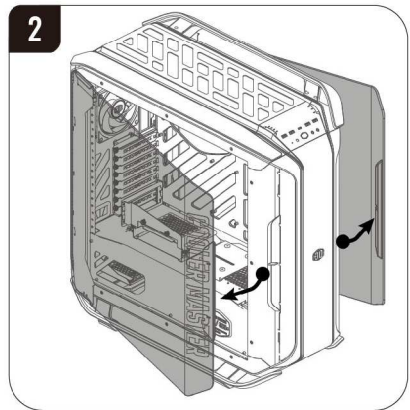
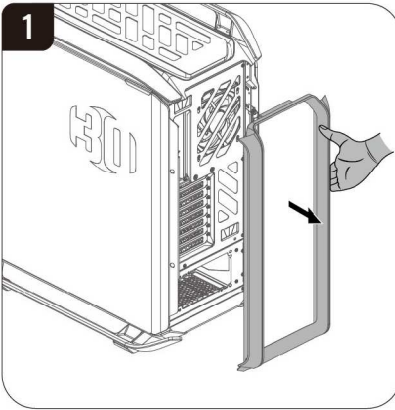
IT Installazione PSU/Motherboard/GFX

JP PSU/Motherboard/GFXインストール

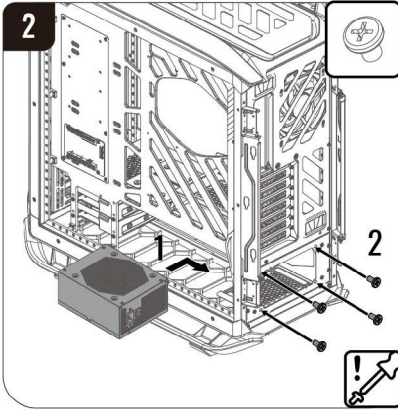
NL PSU/Motherboard/GFX Installatie

PL Montaż dysku PSU/Motherboard/GFX

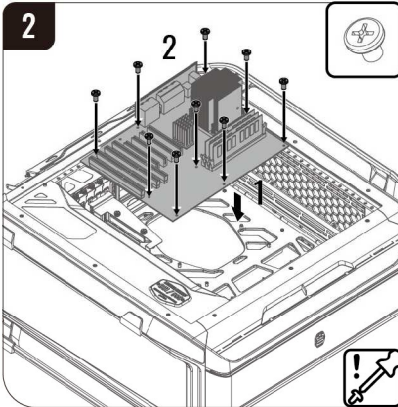
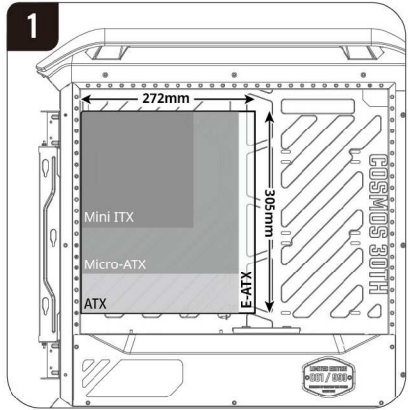
RU Установка PSU/Motherboard/GFX



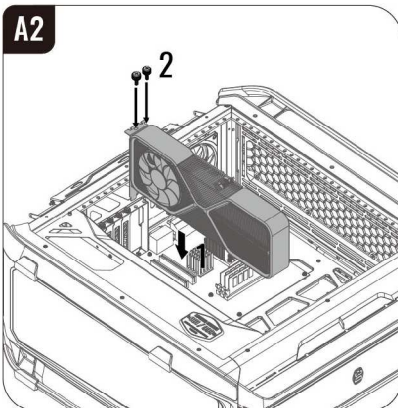
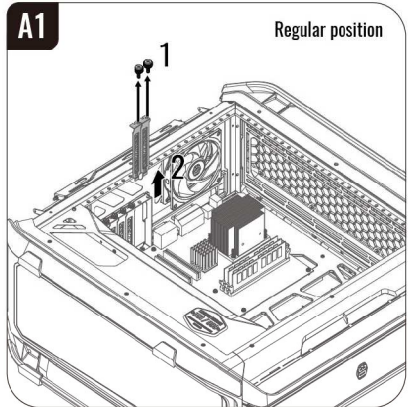
PSU



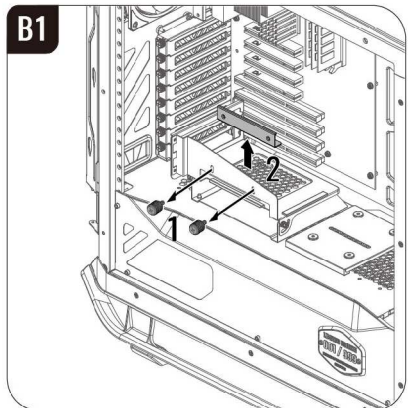
Motherboard

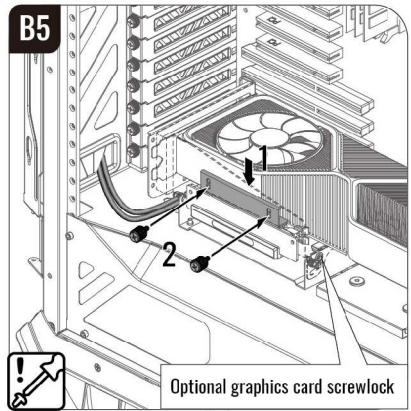
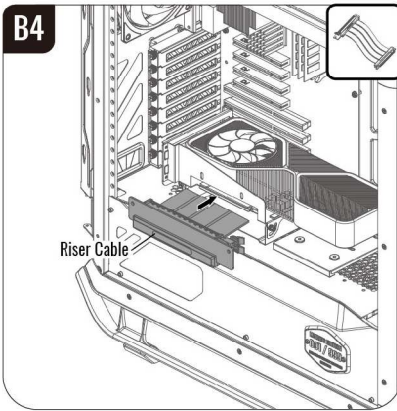
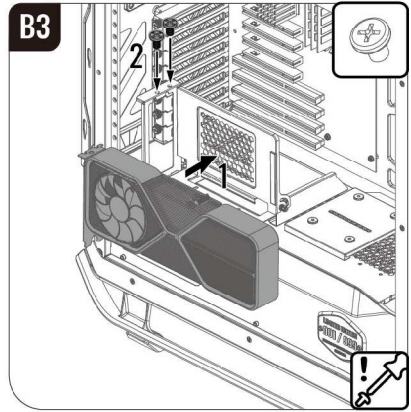
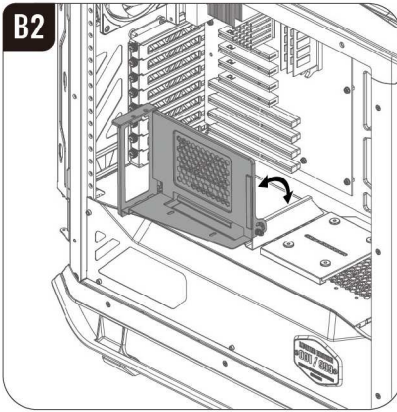


GFX



Install on midplate





2 SSD/HDD installation

CHS SSD/HDD 安装指南

CHI SSD/HDD 安装指南

DE SSD/HDD / Montage

ES Instalación de SSD/HDD

FR Installation d'un SSD/HDD

IT Installazione SSD/HDD

JP SSD/HDDインストール

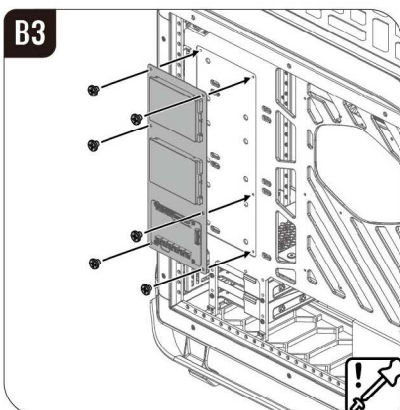
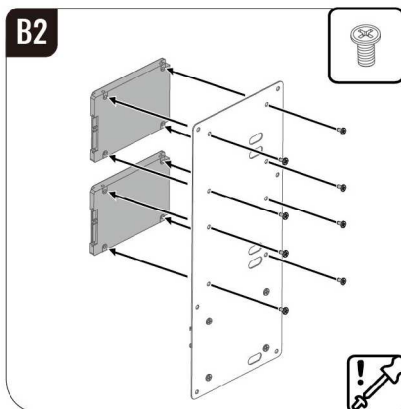
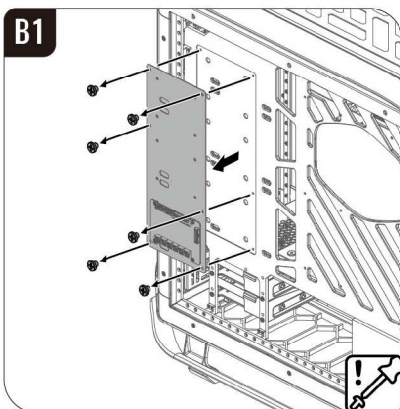
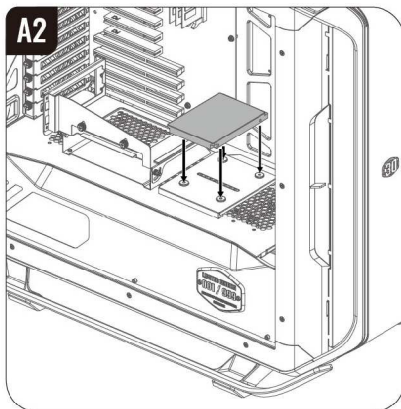
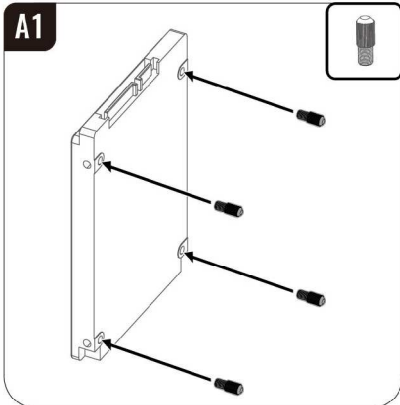
NL SSD/HDD Installatie

PL Montaż dysku SSD/HDD

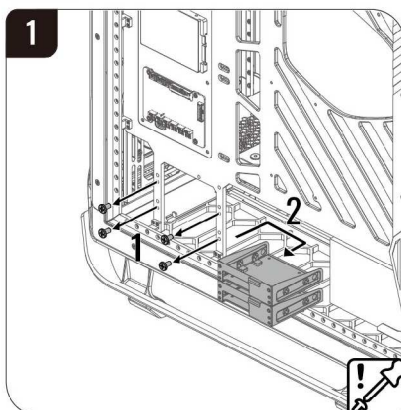
RU Установка SSD/HDD

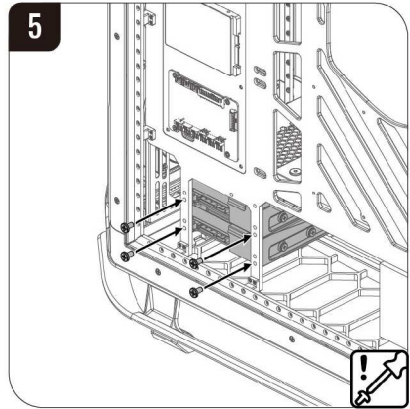
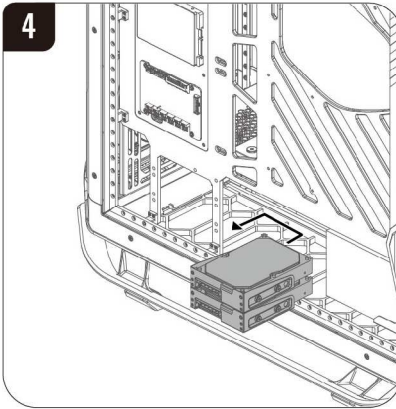
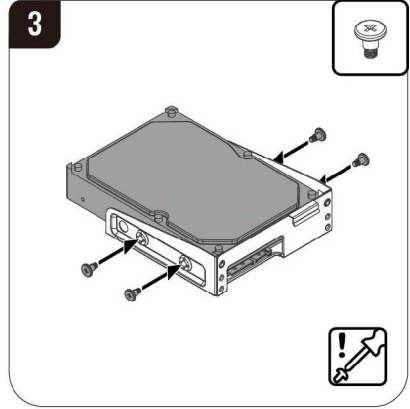
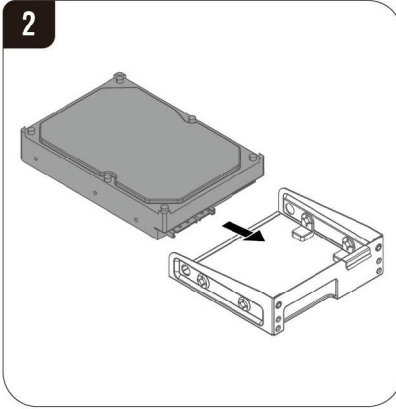
SSD

2.5"



 3.5"

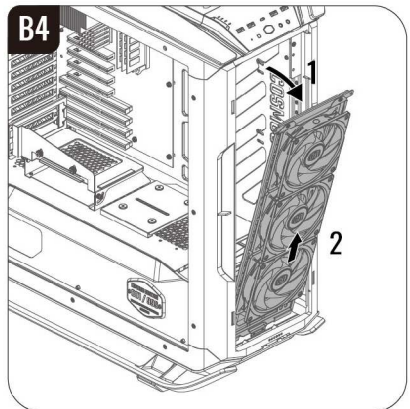
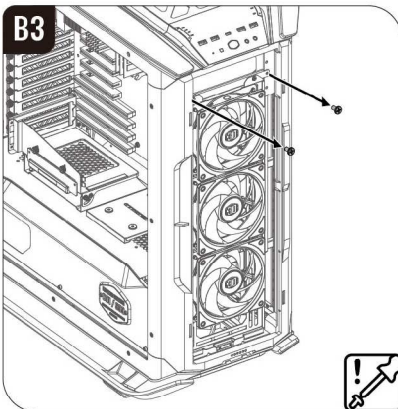
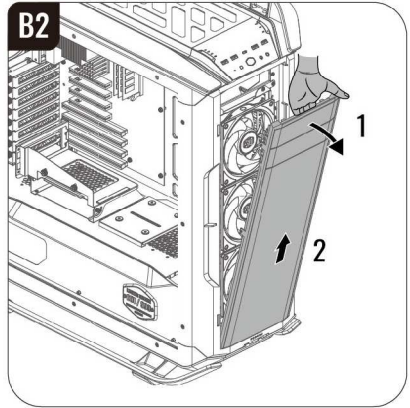
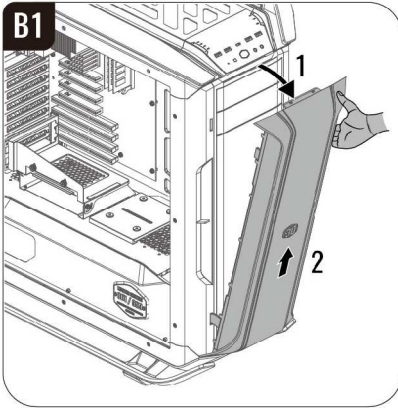
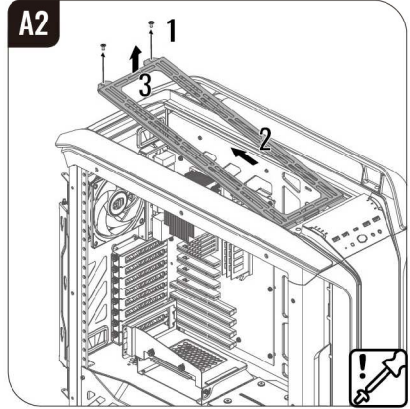
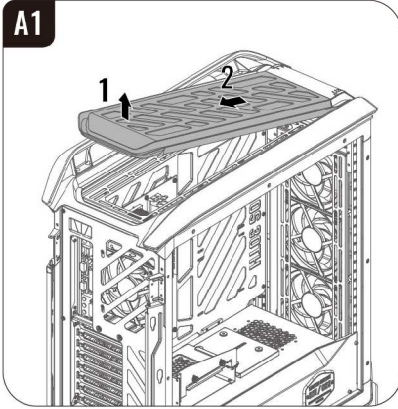




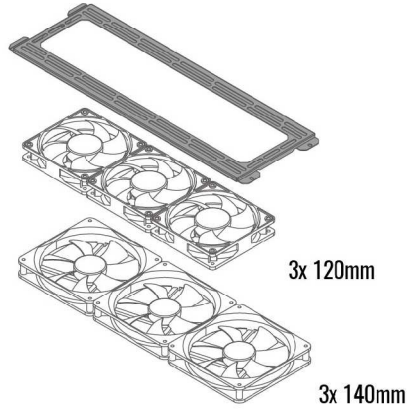
3 How to install case fans and radiators

- CHS** 安裝風扇和水冷排
- CHI** 安裝風扇和水冷排
- DE** So installieren Sie Lüfter und Radiatoren
- ES** Como instalar ventiladores de caja y radiadores
- FR** Comment installer les ventilateurs et radiateurs

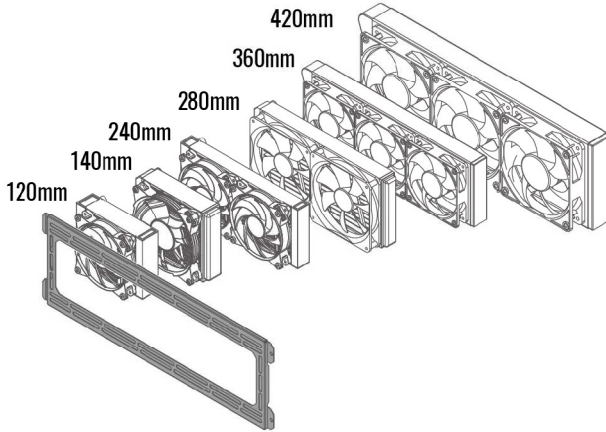
- IT** Come installare ventole e radiatori
- JP** ケースファンとラジエーターの取り付け方法
- NL** Installeren van de ventilatoren en radiatoren
- PL** Jak zamontować wentylatory i radiatory
- RU** Как установить корпусные вентиляторы и радиаторы



Fan



Radiator



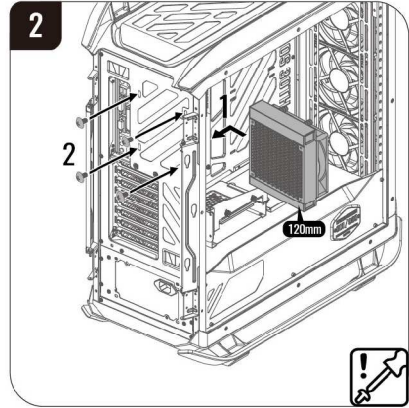
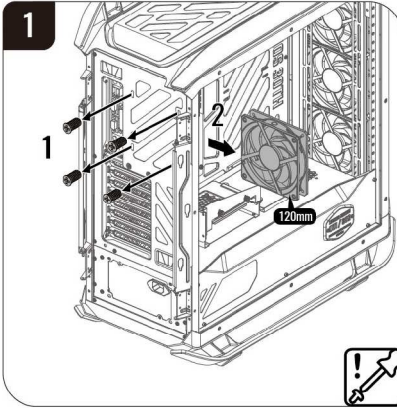
| | Position | Support |
|----------|----------|--|
| Fan | Top | 120/140mm x 3 |
| | Front | 120/140mm x 3 |
| | Bottom | 120/140mm x 2 |
| Radiator | Top | 120mm, 140mm, 240mm, 280mm, 360mm, 420mm |
| | Front | 120mm, 140mm, 240mm, 280mm, 360mm, 420mm |
| | Bottom | 120mm, 140mm, 240mm |

(For all 3positions it requires the purchase of an additional cooling bracket.)

4 How to install radiator in the rear

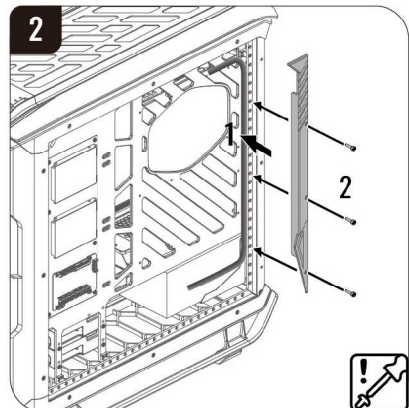
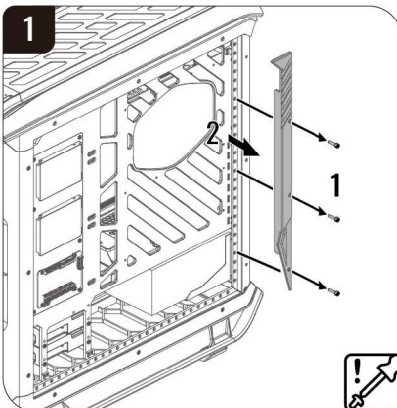
- CHS** 安裝后方水冷排
CHT 安裝後方水冷排
DE So installieren Sie einen Radiator am Heck
ES Como instalar el radiador en a parte posterior
FR Comment installer le radiateur à l'arrière

- IT** Come installare un radiatore nella sezione posteriore
JP 後部にラジエーター 取り付け方法
NL Installeren van de radiator aan de achterkant
PL Jak zamontować radiator na tylnej ścianie
RU Как установить радиатор в задней части корпуса

**5** Cable management

- CHS** 线纜整理
CHT 線纜整理
DE Kabel-management
ES Gestión de cable
FR Gestion des câbles

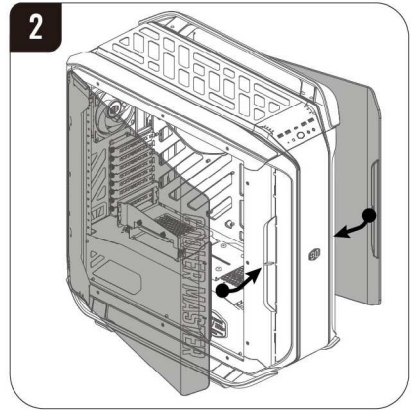
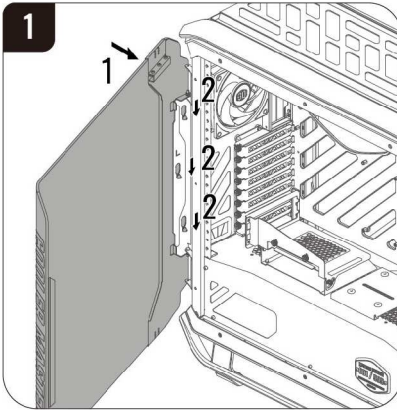
- IT** Cable Management
JP 配線収納
NL Kabel management
PL Zarządzanie kablami
RU Кабель менеджмент



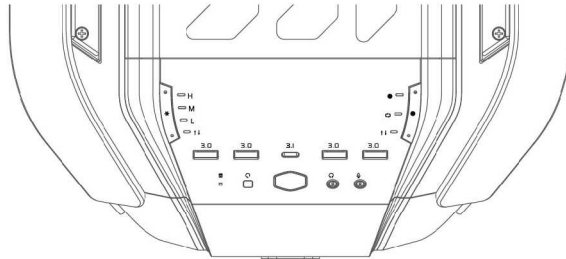
6 Completing installation

- CHS** 完成組裝
- CHT** 完成組裝
- DE** So schliessen Sie die Installation ab
- ES** Completar la instalación
- FR** Terminer l'installation

- IT** Completamento dell'installazione
- JP** 完成図
- NL** Installatie voltooid
- PL** Kończenie instalacji
- RU** Завершение сборки



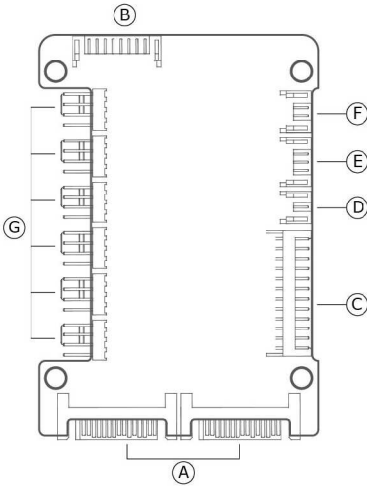
Fan & A-RGB controller operation / 風扇和A-RGB燈光控制操作 / 風扇和A-RGB燈光控制操作 / Lüfter und A-RGB Steuerung / Funcionamiento del ventilador y del controlador A-RGB / Fonctionnement du contrôleur d'éclairage A-RGB et de ventilateurs / Funcionamiento del controller Ventola & A-RGB / ファンとA-RGBコントローラー操作説明 / Ventilator & A-RGB controller bediening/ Obsługa kontrolera wentylatorów i podświetlenia A-RGB / Управление контроллера вентилятора и A-RGB



| | Mode | Description |
|---------------------------------------|-----------------|-----------------------------------|
| (*) Fan controller | (H) High | Fan operates at 100% |
| | (M) Medium | Fan operates at 75% |
| | (L) Low | Fan operates at 50% |
| | (↑ ↓) M/B sync | Motherboard sync (PWM input) |
| (*) Addressable RGB controller | (☼) Static | 7 preset colors |
| | (🔄) Cycle | 4 preset dynamic color cycles |
| | (↑ ↓) M/B sync* | Sync up with motherboard lighting |

*M/B sync mode only works when connecting control board to motherboard A-RGB header. Do NOT connect to regular RGB header!

Control Board Layout / 控制板接口 / 控制板接口 / Layout der Steuerplatine / Diseño de la tarjeta de control / Disposition de la carte de contrôle / Layout della scheda di controllo / コントロールボードレイアウト / Ventilator & RGB aansluit schema / Układ panelu sterowania / Панель управления



| | Connector Name | Description |
|---|-------------------------------|---|
| A | SATA power connector | 2 x SATA 15-pin power connectors are required to provide power input to the control board (1) |
| B | Front panel control connector | Connects to IO panel |
| C | A-RGB Lighting connector | Total 4 channels, max 2A output per channel, total 8A output for all A-RGB out put (2) |
| D | MB A-RGB sync connector | Connect to motherboard A-RGB sync port |
| E | USB connector | Connect to motherboard USB2.0 port for controller Firmware upgrade |
| F | MB FAN sync connector | Connect to motherboard FAN port |
| G | Fan Connectors | FAN1-FAN6 4pin PWM FAN connector(compatible with 3pin FAN).0.4A output channel and 2.4A total |

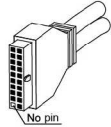
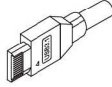


(1) Minimum 18AWG thickness PSU wires required as current may exceed 6A.

(2) 3 channels for pre-installed lighting on case.

1 channel for additional A-RGB devices. Connect via splitter with SATA to supply power.

I/O connectors / I/O面板接頭 / I/O面板接头 / I/O Anschlüsse / Conectores I/O / Connecteurs E/S / Connettori I/O / I/Oコネクタ / I/O connectoren / Złącza panelu I/O / Разъемы ввода/вывода

- EN** Please follow motherboard manual instruction for connection.
- CHS** 請遵照主板安裝手冊進行連接
- CHT** 請遵照主機板安裝手冊進行連接
- DE** Für die Anschlüsse bitte die Bedienungsanleitung des Mainboards lesen
- ES** Siga las instrucciones del manual de la placa base para la conexión.
- FR** Veuillez vous reporter au manuel de la carte mère pour les instructions de branchement
- IT** Seguire le istruzioni della scheda madre per la connessione.
- JP** マザーボードの取り付け方法
- NL** Volg de handleiding van het moederbord voor installatie
- PL** Przy podłączeniu kieruj się instrukcją obsługi płyty głównej
- RU** Для подключения, пожалуйста, следуйте инструкциям материнской платы.

| Case Connector |
|---|
| USB 3.0 connector  No pin |
| USB 3.1 connector  |
| HD Audio connector  No pin |
| Power SW/ LED,HDD LED Reset SW  |

WARRANTY INFORMATION

English (EN)

Cooler Master guarantees that this device is free of defect in material and workmanship, and provides a two-year limited hardware warranty for the device commencing from the date of purchase. Please keep your receipt for proof of purchase. This product is designed for computer usage only. Using this device in any other capacity voids the warranty. If you are not familiar with computer hardware installation, please ask for professional assistance.

The warranty offered covers normal use. Defect or damage that result from improper operation, storage, misuse or abuse, accident or neglect, which are not the fault of Cooler Master, are excluded from warranty coverage.

Note: the warranty is voided by removal or alternation of product or parts identification labels.

- *All OEM/bulk packaging product come with one year limited warranty
- *In case of conflict between the warranty provided by the country of point of sale and this manual, the warranty of the actual country of point of sale shall be the prevailing document.
- *In case of malfunction of electronic components or need of accessories purchase during the warranty period, please return to the original store of purchase.

Türkçe (TR)

Cooler Master bu cihazda malzeme ve işçilik hatası bulunmadığını garanti eder ve cihaz için satın alma tarihinden başlanarak iki yıla sınırlı bir donanım garantisi verir. Alımı belgelemek için lütfen makbuzunuzu saklayın. Bu ürün yalnızca bilgisayar kullanımını için tasarlanmıştır. Bu cihazın başka bir kapsamda kullanılması garantiyi geçersiz kılar. Bilgisayar donanımı montajını bilmiyorsanız, lütfen profesyonel yardım talep edin.

Verilen garanti normal kullanım içindir. Cooler Master'ın hatası olmayan uygunsuz kullanım, depolama, yanlış kullanım veya kötü kullanım, kaza ya da ihmalden kaynaklanan arıza ya da hasarlar garanti kapsamının dışındadır. Dikkat: Ürün ya da parça tanıma etiketlerinin sökülmesi ya da değiştirilmesi garantiyi geçersiz kılar.

- * Tüm OEM/ambalajsız ürünler bir yıl sınırlı garanti ile gelir
- * Garanti verilen ülkedeki satış noktası ve bu kullanma
- * kılavuzu arasında bir çelişki olursa, satış noktasının bulunduğu ülkedeki garanti hükümleri öncelik taşır. Elektronik bileşenlerin arızalanması ya da garanti süresinde aksesuarların satın alınması gerekirse, lütfen ürünü satın aldığınız mağazaya başvurunuz.

简体中文 (ZHS)

Cooler Master 保证本设备之材质及功能无瑕疵，并提供本设备二年之硬件有限保固服务，自购买日算起。请把您的收据放在安全之处，以免 Cooler Master 要求您提供本证明。本产品专为计算机设计。一旦将本设备用于其它用途，则保固无效。若您不熟悉硬件安装程序，请寻求专家之协助。保固服务仅适用于正常使用下之故障情形。若本公司发现设备毁损之原因为滥用、改造、误用、疏忽、电压供应错误、空气及水污染意外和自然灾害，则保固无效。

注意：重贴或条形码遭毁损而无法辨识保固期限者，则不在此限。

- *所有 OEM 及工业包装的产品皆保固一年。
- *如果销售国家所提供的保固与本说明互有冲突时，应以实际销售国家之保固为准。
- *保固期内遇有电子零件故障或配件购买需求，请洽原购买商店。

繁體中文 (ZHT)

Cooler Master保證本設備之材質及做工無瑕疵，並提供本設備二年之硬體有限保固服務，自購買日算起。請把您的收據放在安全之處，以免Cooler Master要求您提供本證明。本產品專為電腦設計。一旦將本設備用於其他用途，則保固無效。若您不熟悉硬體安裝程式，請尋求專家之協助。保固服務僅適用於正常使用下之故障情形。若本公司發現設備毀損之原因為濫用、改造、誤用、疏忽、電壓供應錯誤、空氣及水污染意外和自然災害，則保固無效。

注意: 重貼或條碼遭毀損而無法辨識保固期限者，則不在此限。

*所有OEM及工業包裝的產品皆保固一年。

*如果銷售國家所提供的保固與本說明互有衝突時，應以實際銷售國家之保固為準。

*保固期內遇有電子零件故障或配件購買需求，請洽原購買商店。

| 部件名稱 | 有毒有害物質或元素 | | | | | |
|-------|-----------|-----------|-----------|-----------------|---------------|-----------------|
| | 鉛 (Pb) | 汞 (Hg) | 鎘 (Cd) | 六價鉻 [Cr(VI)] | 多溴聯苯 (PBB) | 多溴二苯醚 (PBDE) |
| 機箱組 | × | ○ | ○ | ○ | ○ | ○ |
| 面板組 | × | ○ | ○ | ○ | ○ | ○ |
| I/O模組 | × | ○ | ○ | ○ | ○ | ○ |
| 風扇 | × | ○ | ○ | ○ | ○ | ○ |
| 零件包 | × | ○ | ○ | ○ | ○ | ○ |
| 電源 | × | ○ | ○ | ○ | ○ | ○ |

本表格依據SJ/T 11364的規定編制。
○:表示該有害物質在該部件所有均質材料中的含量均在GB/T 26572規定的限量要求以下。
×:表示該有害物質至少在該部件的某一均質材料中的含量超出GB/T 26572規定的限量要求。

Note: The form is only applied to China law.

Cooler Master Products: Limited Warranty

This document describes the warranty terms for all Cooler Master product sold in Australia

For Australia only:

Our goods come with guarantees that cannot be excluded under the Australian Consumer Law. You are entitled to a replacement or refund for a major failure and for compensation for any other reasonably foreseeable loss or damage. You are also entitled to have the goods repaired or replaced if the goods fail to be of acceptable quality and the failure does not amount to a major failure. (Cooler Master Technology Inc., 7F., No. 398, Xinhu 1st Rd., Neihu Dist., Taipei City 114065, Taiwan (R.O.C.).)

Telephone: +886-2-2225-3517 (standard international call charges apply)

Who the Warranty Protects:

This Warranty is valid to the original purchaser only.

What the warranty protects:

This warranty is valid only for the Cooler Master Products distributed by authorized dealer(s) in Australia. Please contact Cooler Master for warranty information and services:

• Cooler Master Support: account.coolermaster.com

What Is and Is Not Covered

It is important to note that our warranty is not an unconditional guarantee for the duration of the Program. Any replaced parts become the property of Cooler Master. The Program does not apply to the software component of a product or a product which has been damaged due to accident, misuse, abuse, improper installation, usage not in accordance with product specifications and instructions, natural or personal disaster, or unauthorized alterations, repairs or modifications.

The Program does not cover any events such as below:

- Any damages unrelated to manufacturing defects.
- Any unsuitable environment or use of the product in Cooler Master Opinion.
- Any product which has been modified without official permission from Cooler Master, or on which the serial number or warranty sticker has been defaced, modified, or removed.

Damage, deterioration or malfunction resulting from:

- Accident, abuse, misuse, neglect, fire, water, lightning, or other acts of nature, commercial or industrial use, unauthorized product modification or failure to follow instructions included with the product.

- Third party products using Cooler Master Components will not be covered by warranty. See your vendor or the manufacturer for information about servicing.

- Repair or attempted repair by anyone not authorized by Cooler Master, Inc.

- Any shipment damages (claims must be made with the carrier).
- Unauthorized repairs to a Cooler Master product will void the warranty offered by the Program. Cooler Master reserves the right to refuse to service any product which has been altered, modified or repaired by non-Cooler Master Service personnel.
- Cooler Master does not warrant that this product will meet your requirements. It is your responsibility to determine the suitability of this product for your purpose.
- Removal or installation charges.
- You are responsible for the cost of shipping the product to Cooler Master. Cooler Master pays the cost of returning a product to you.
- Cooler Master reserves the right to replace the product with a service product at their sole discretion at any time.
- Product malfunction or damage resulting from liquids or moisture.
- All accessories that malfunction due to physical damage such as: USB cables, extension cables, adapter cables, adapters, power cords, screws, retention brackets, ear cups, and all other similar accessories.

Limitation of implied warranties:

THERE ARE NO WARRANTIES, EXPRESS OR IMPLIED, WHICH EXTEND BEYOND THE DESCRIPTION CONTAINED HEREIN INCLUDING THE IMPLIED WARRANTY OF MERCHANTABILITY AND FITNESS FOR A PARTICULAR PURPOSE.

Exclusion of damages

COOLER MASTER'S LIABILITY IS LIMITED TO THE COST OF REPAIR OR REPLACEMENT OF THE PRODUCT. COOLER MASTER SHALL NOT BE LIABLE FOR:

- DAMAGE TO OTHER PROPERTY CAUSED BY ANY DEFECT IN THE PRODUCT, DAMAGES BASED UPON INCONVENIENCE, LOSS OF USE OF THE PRODUCT, LOSS OF TIME, LOSS OF PROFITS, LOSS OF BUSINESS OPPORTUNITY, LOSS OF GOODWILL, INTERFERENCE WITH BUSINESS RELATIONSHIPS OR OTHER COMMERCIAL LOSS, EVEN IF ADVISED OF THEIR POSSIBILITY OF SUCH DAMAGES.
- ANY OTHER DAMAGES, WHETHER INCIDENTAL, CONSEQUENTIAL OR OTHERWISE
- ANY CLAIM AGAINST THE CUSTOMER BY ANY OTHER PARTY

Warranty Information:

If the goods is found with reasonable defect within the period of (refer to Table A.,) starting on the first day of purchase (with proof of invoice), this is what you must do, to claim the warranty from the above address.

Procedures:

1. Consumers should return to the shop where he/she has bought the goods, After confirming with the shop with a valid invoice, they may approach the distributor for RMA claim.
2. After confirmed by the distributor that the goods was damaged due to natural causes, replacement and repair will be done by distributor (including brand new or refurbished goods)
3. All faulty goods must return to the distributor, expenses for returning the faulty goods will be covered by the consumer, and distributor will cover the cost involved in the transporting of parts or repaired goods to the consumer.

Regarding all the expenses incurred in making the claim, and this is how you would claim:

1. Within the valid warranty date, starting from the first day of issuing invoice, Retail shops will assist in confirmation with distributor for the consumer for the following.
 - A. If the damage was caused by the consumer, then the consumer should cover all expenses in fixing the product, if the product still can't be fixed, we would suggest consumer in buying a brand new product.
 - B. Product defect caused under natural use, expenses will be covered by the distributor.
2. Faulty products with expired warranty dates, we would suggest consumer to purchase a brand new products, without undergoing for repairs.

Table A:

Cooler Master Products

Please check your user manual for the exact warranty period terms for products that are not shown below.

For more warranty information, please visit our official website: <http://www.coolermaster.com/service/warranty.html>

Chassis

| Product Name | Warranty Term |
|--|---------------|
| All Chassis Series (Only Electronic Parts) | 2 year |
| C+P (Chassis + PSU) | 1 year |

- (EN) Limited warranty period: <http://www.coolermaster.com/service/warranty.html>
- (AR) المحدد الضمان فترة : <http://www.coolermaster.com/service/warranty.html>
- (BG) Период на ограничена гаранция: <http://www.coolermaster.com/service/warranty.html>
- (CS) Období omezené záruky: <http://www.coolermaster.com/service/warranty.html>
- (DA) Begrænset garanti: <http://www.coolermaster.com/service/warranty.html>
- (DE) Beschränkter Garantiezeitraum: <http://www.coolermaster.com/service/warranty.html>
- (EL) Περίοδος περιορισμένης εγγύησης: <http://www.coolermaster.com/service/warranty.html>
- (ES) Periodo de garantía limitada: <http://www.coolermaster.com/service/warranty.html>
- (FA) مدت زمان گارانتی : <http://www.coolermaster.com/service/warranty.html>
- (FI) Rajoitettu takuujakso: <http://www.coolermaster.com/service/warranty.html>
- (FR) Période de garantie limitée: <http://www.coolermaster.com/service/warranty.html>
- (HU) Korlátozott jótállási időszak: <http://www.coolermaster.com/service/warranty.html>
- (HR) Razdoblje ograničenog jamstva: <http://www.coolermaster.com/service/warranty.html>
- (ID) Masa garansi terbatas: <http://www.coolermaster.com/service/warranty.html>
- (IT) Periodo di garanzia limitata: <http://www.coolermaster.com/service/warranty.html>
- (JA) 限定保証期間 : <http://www.coolermaster.com/service/warranty.html>
- (KO) 제한 보증 기간 : <http://www.coolermaster.com/service/warranty.html>
- (KK) Кенілдік мерзімі: <http://www.coolermaster.com/service/warranty.html>
- (NL) Beperkte garantieperiode: <http://www.coolermaster.com/service/warranty.html>
- (NO) Garantiperiode begrenset garanti: <http://www.coolermaster.com/service/warranty.html>
- (PL) Okres ograniczonej gwarancji: <http://www.coolermaster.com/service/warranty.html>
- (PT) Período de garantia limitada: <http://www.coolermaster.com/service/warranty.html>
- (RU) Ограниченный гарантийный срок: <http://www.coolermaster.com/service/warranty.html>
- (SR) Period ograničene garancije: <http://www.coolermaster.com/service/warranty.html>
- (SV) Begränsad garantiperiod: <http://www.coolermaster.com/service/warranty.html>
- (TR) Sınırlı garanti süresi: <http://www.coolermaster.com/service/warranty.html>
- (UK) Обмежений гарантійний термін: <http://www.coolermaster.com/service/warranty.html>
- (ZHT) 有限保固期間 : <http://www.coolermaster.com/service/warranty.html>



Make It Yours.

Asia Pacific - Cooler Master Technology Inc.
7F., No. 398, Xinhua 1st Rd., Neihu Dist., Taipei
City 114065, Taiwan (R.O.C.)
Tel: +886-2-2225-3517


China - Cooler Master China
Room 112, Building 9, No. 327, Songjin Road, Jinshanwei Town,
Jinshan Dist., Shanghai City, China
Tel: +86-21-51872177

Europe - Cooler Master Europe B.V.
Lodewijkstraat 1b, 5652AC Eindhoven, The Netherlands
Tel: +31-(0)40-702-0900

North America - Cooler Master NA
1 N Indian Hill Blvd Suite D200 Claremont, CA 91711 USA
Tel: +1-888-624-5099



For the most updated information,
please visit our official website:
www.cmodx.com

512005080-GP Ver 1.0: 2022/04 

The color and specification are subject to be changed without further notification.
Please visit our website for updated information: www.cmodx.com

©2022 Cooler Master Technology Inc. All Rights Reserved. All trademarks are registered to their respective owners.